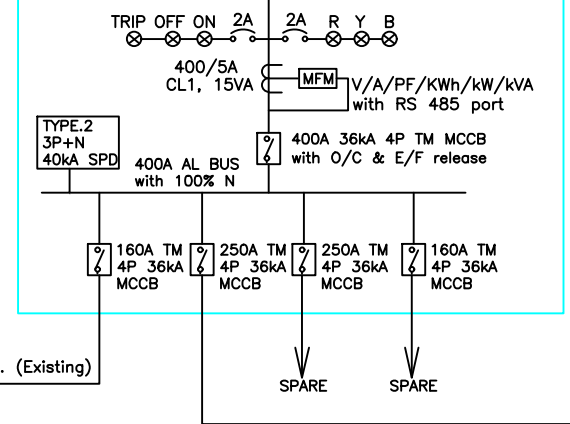


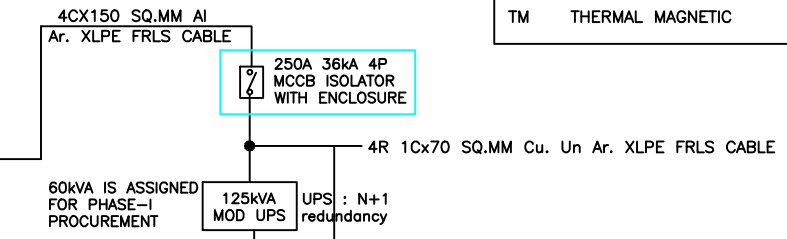
MAIN PANEL FROM SS.3 PANEL
3.5CX240 SQ.MM Al Ar.
XLPE FRLS CABLE (EXISTING)



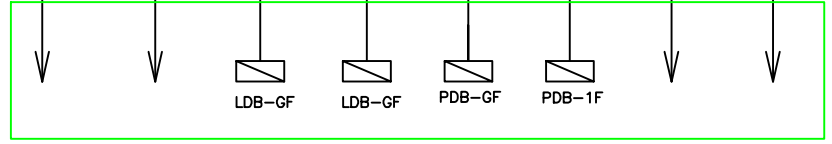
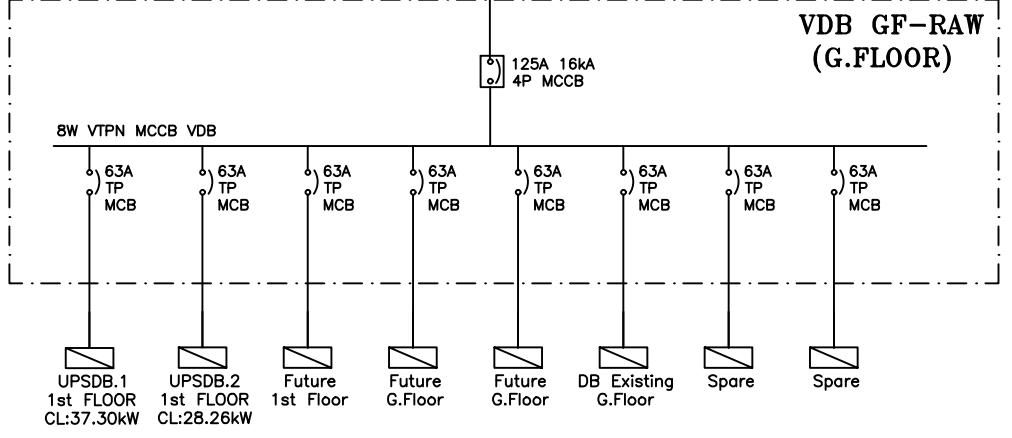
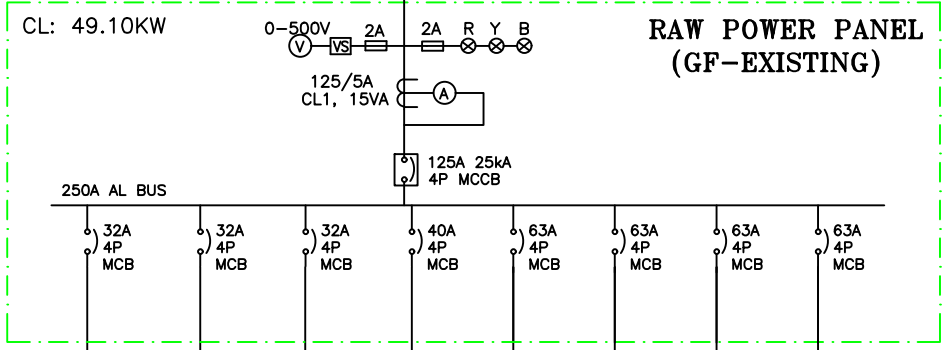
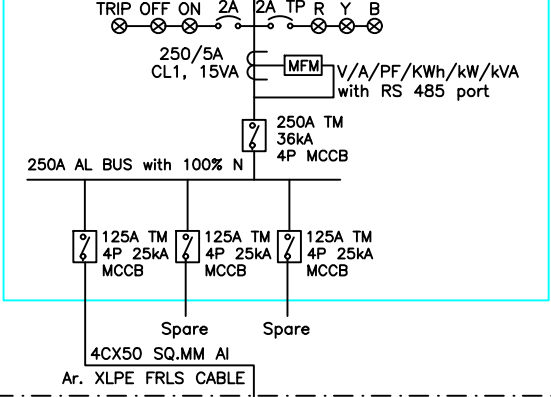
3.5 X 95 SQ.MM., ---MTS. (Existing)

LEGEND

	ISOLATOR
	MOULDED CASE CIRCUIT BREAKER
	MINIATURE CIRCUIT BREAKER
MP	MICROPROCESSOR BASED
TM	THERMAL MAGNETIC



UPS PANEL



All DBs are Existing

X11

X12

X13

X14

X15

X16

X17

Y1a

Y1

Y2

Y3

Y4

Y4a

Y5

Y6

Y7

Y8

1200mm Piece = 7Nos
600mm Piece = 18Nos

1200mm Piece = 12Nos
600mm Piece = 16Nos

1200mm Piece = 19Nos
600mm Piece = 6Nos

COMPUTER LAB

SERVER ROOM

LVL. +541.10M

LVL. +4.00M

CLASS RM

CLASS RM

UPS CKT - Y8/UPDB.2

UPS CKT - Y7/UPDB.2

UPS CKT - B7/UPDB.2

UPS CKT - B8/UPDB.2

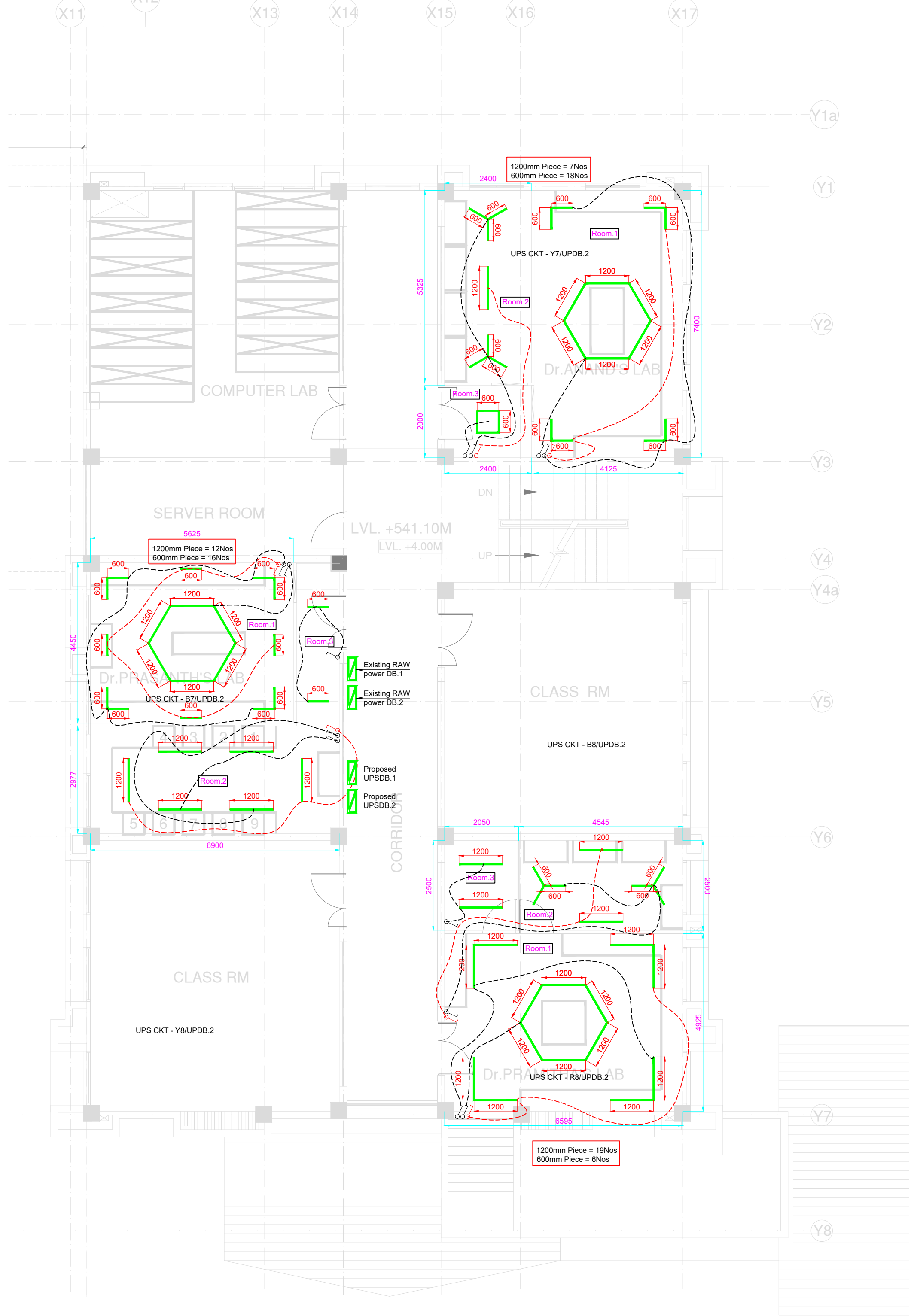
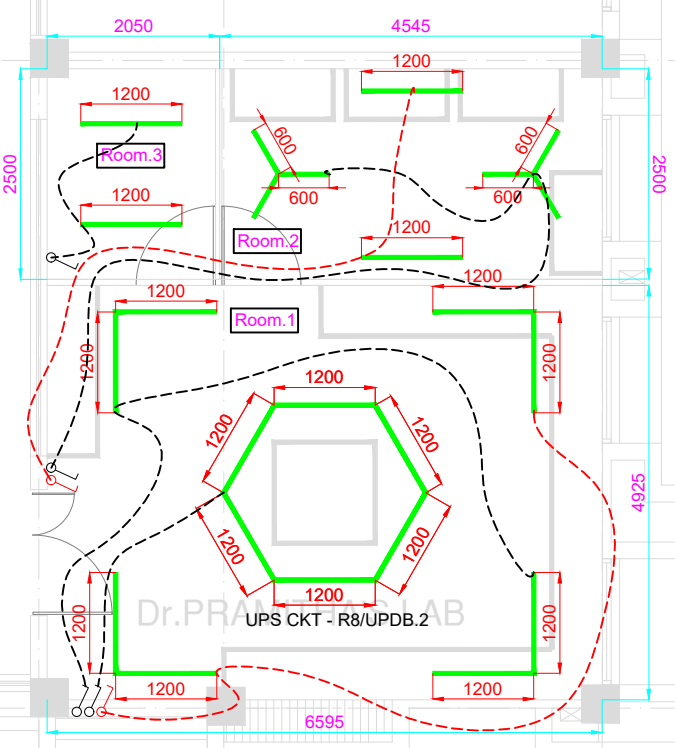
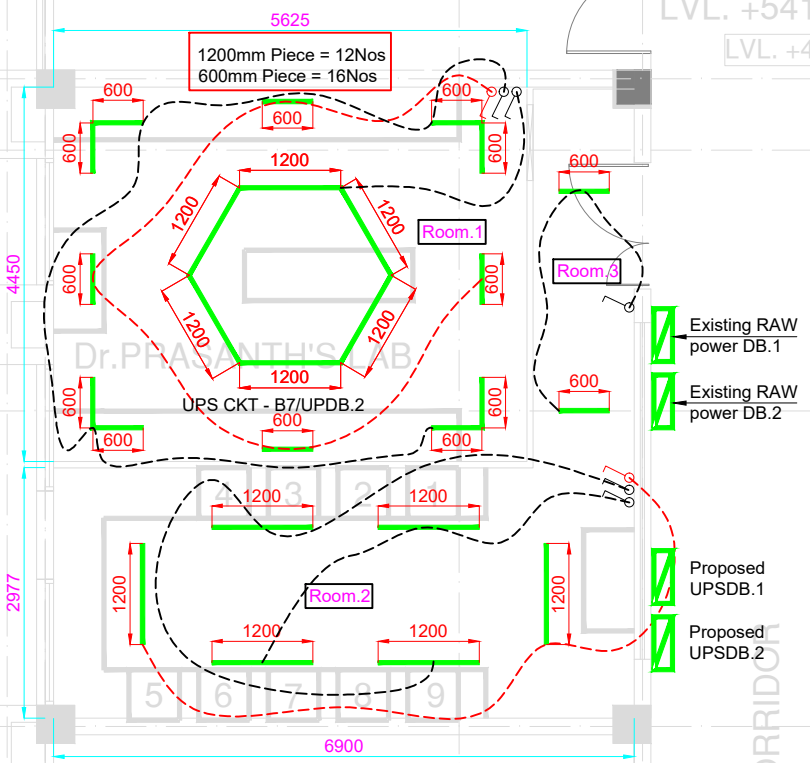
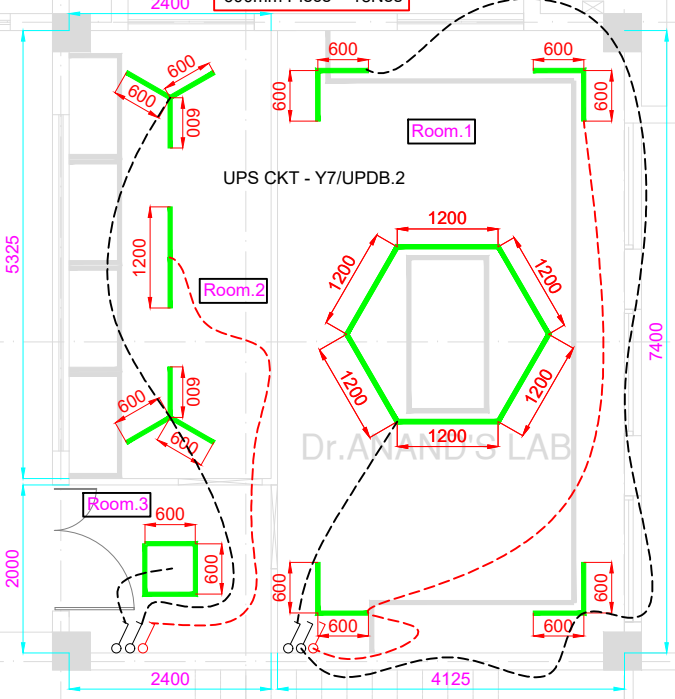
UPS CKT - R8/UPDB.2

CORRIDOR

Dr. ANAND'S SLAB

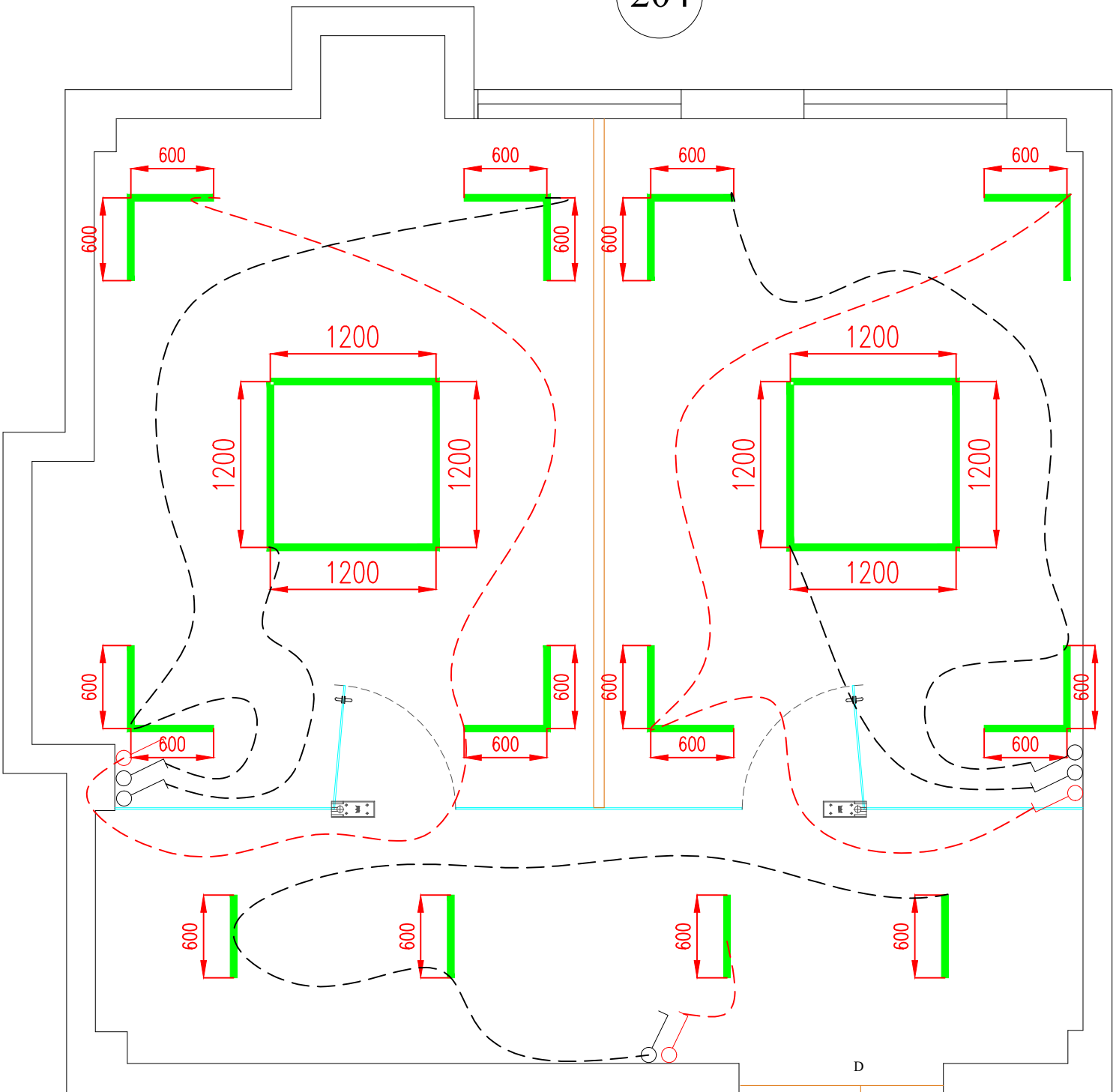
Dr. PRASANTH'S SLAB

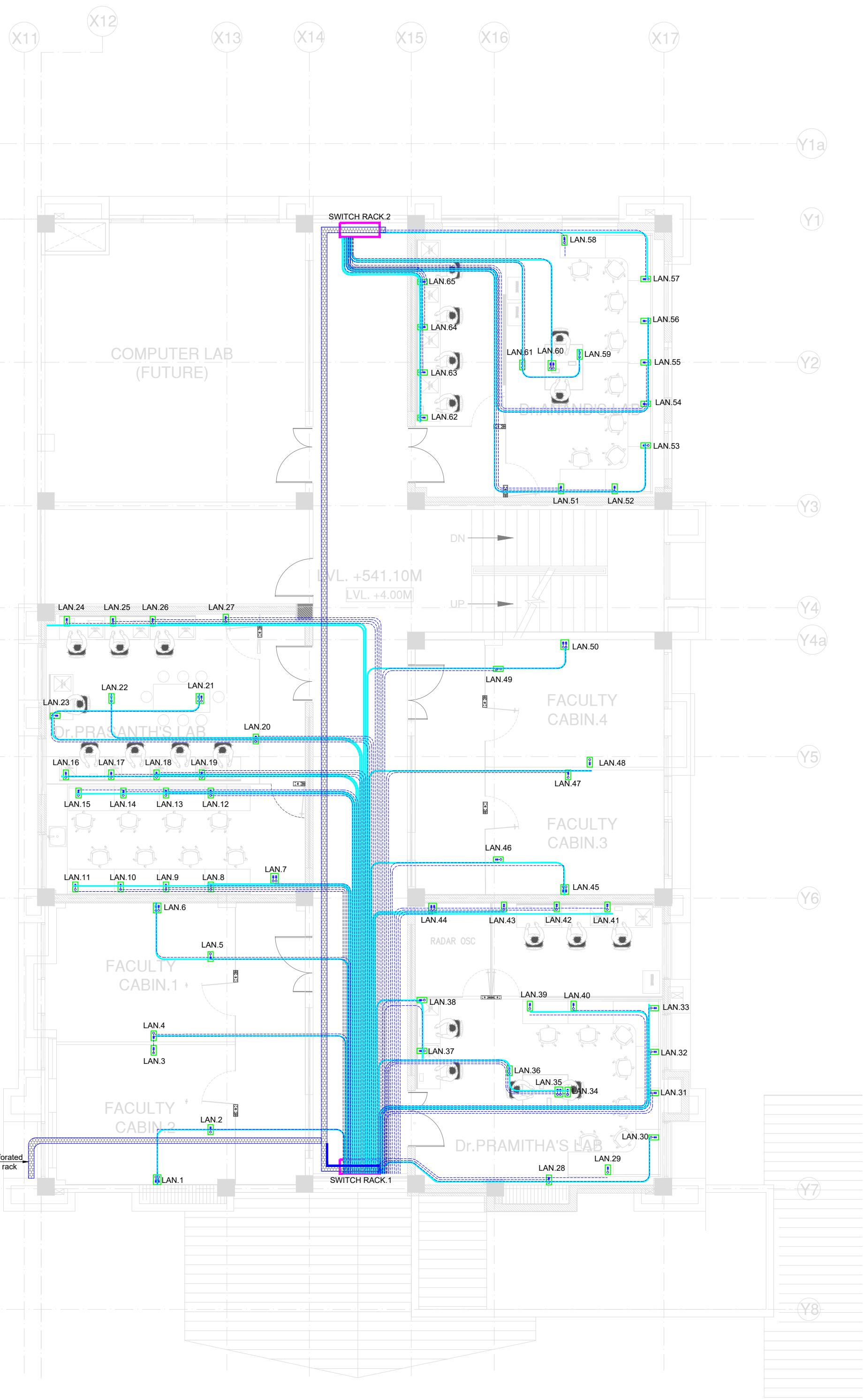
Dr. PRASANTH'S SLAB



1200mm Piece = 12Nos
600mm Piece = 16Nos

204





150x50mm HDGI perforated cable tray to GF Main rack

COMPUTER LAB (FUTURE)

Dr. PRASANTH'S LAB

Dr. PRAMITHA'S LAB

FACULTY CABIN.4

FACULTY CABIN.3

FACULTY CABIN.1

FACULTY CABIN.2

RADAR OSC

SWITCH RACK.2

SWITCH RACK.1

LVL. +541.10M
LVL. +4.00M

DN
UP

X11

X12

X13

X14

X15

X16

X17

Y1a

Y1

Y2

Y3

Y4

Y4a

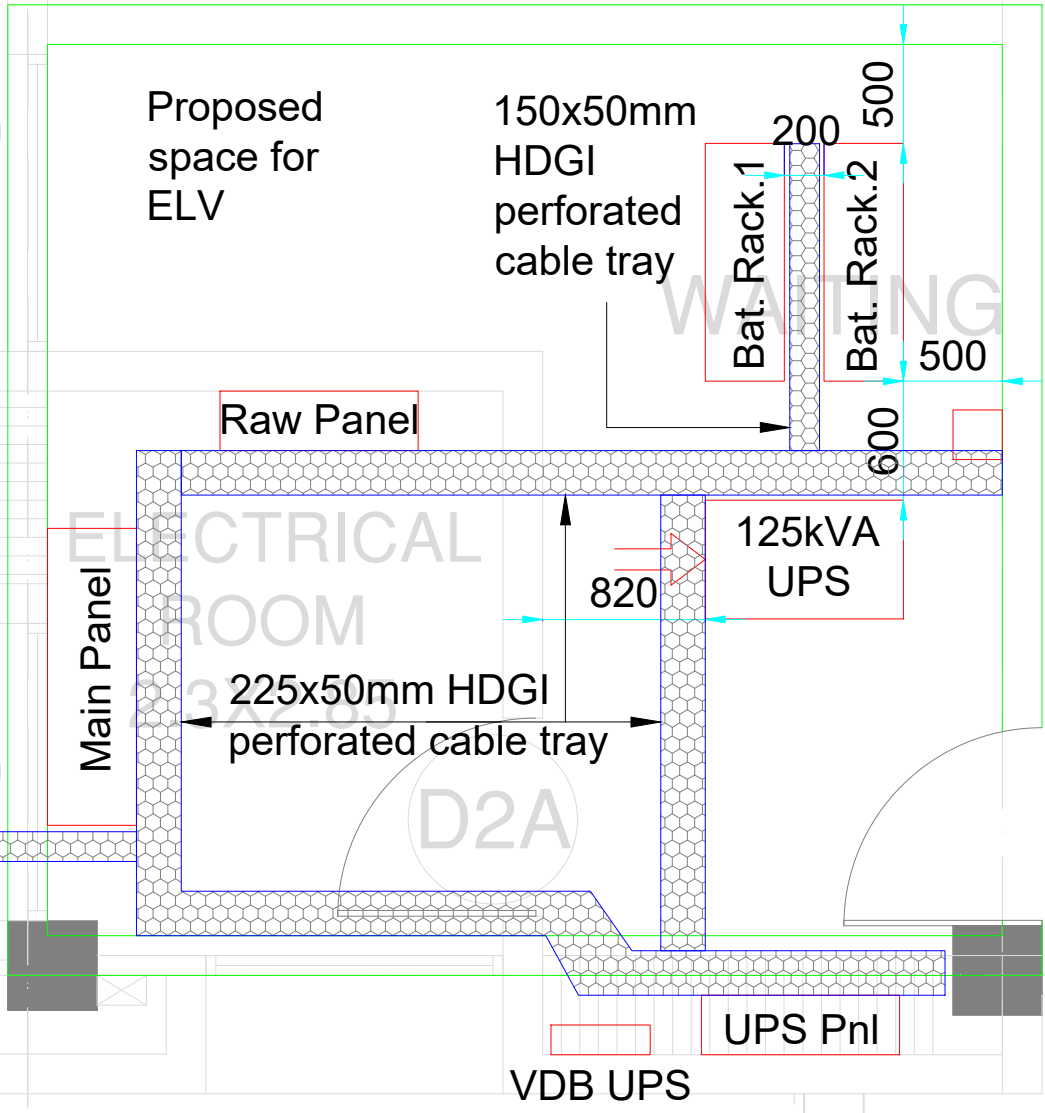
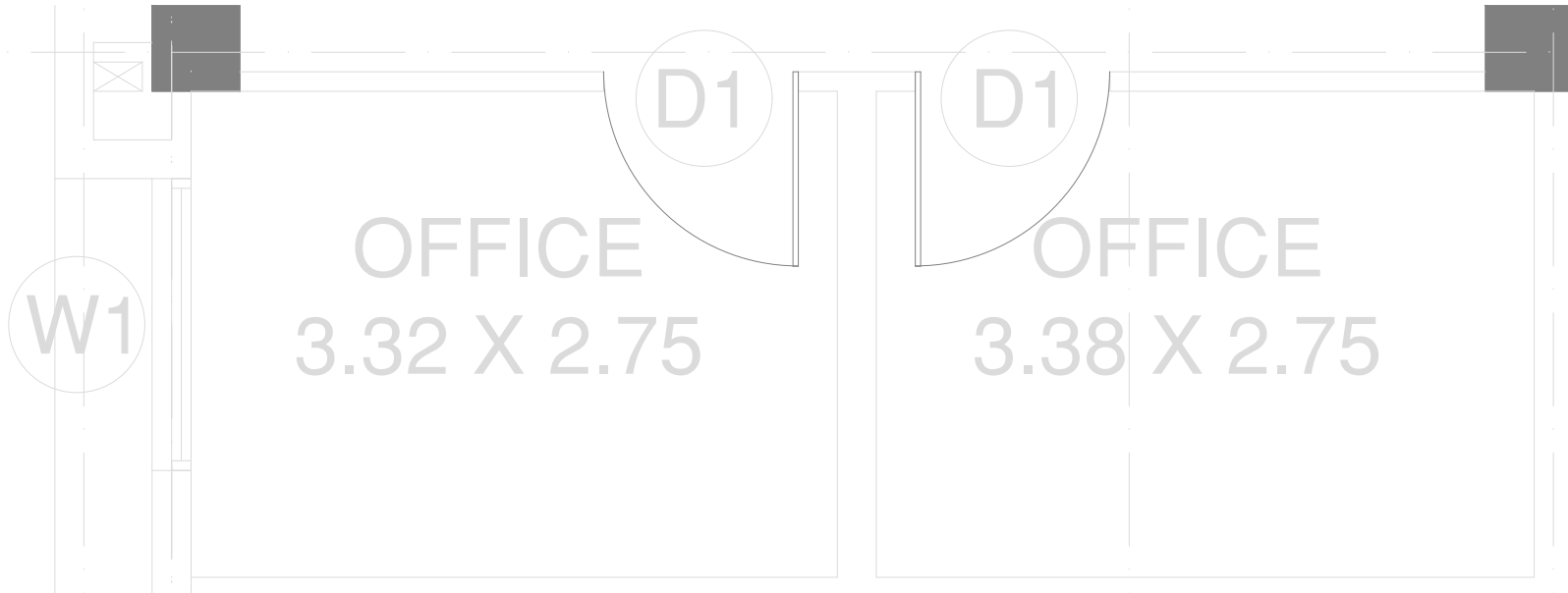
Y5

Y6

Y7

Y8

7.00



150x50mm HDGI
perforated cable tray
To 1st floor

LVL. +
LVL.

LVL. ±0.