



PROPOSED INTERIOR DESIGN OF THE CENTRAL LIBRARY AT SECOND FLOOR & THIRD FLOOR OF ADMINISTRATIVE COMPLEX IN IISER THIRUVANANTHAPURAM

Notes:
 1. This drawing is the sole property of M/s P.C. Rasheed and Associates. The rights of reproduction, modification or alteration are reserved by the consultant.
 2. This drawing is not to be used for any other purpose or any other project.
 3. No dimensions are to be scaled out from the drawing. Figured dimensions should be followed.
 4. Check all measurements and levels before commencing the work. Intimate the consultant before starting the construction.

REMARKS:
 1. Dimensions are in Meters
 2. Do not scale out the drawing
 3. Columns, Beams sizes as per structural details
 4. Lateralite for masonry is 20cm thick, unfinished size (The size shown in the drawing)
 5. Plastering thickness 1.5cm (Unless specified)

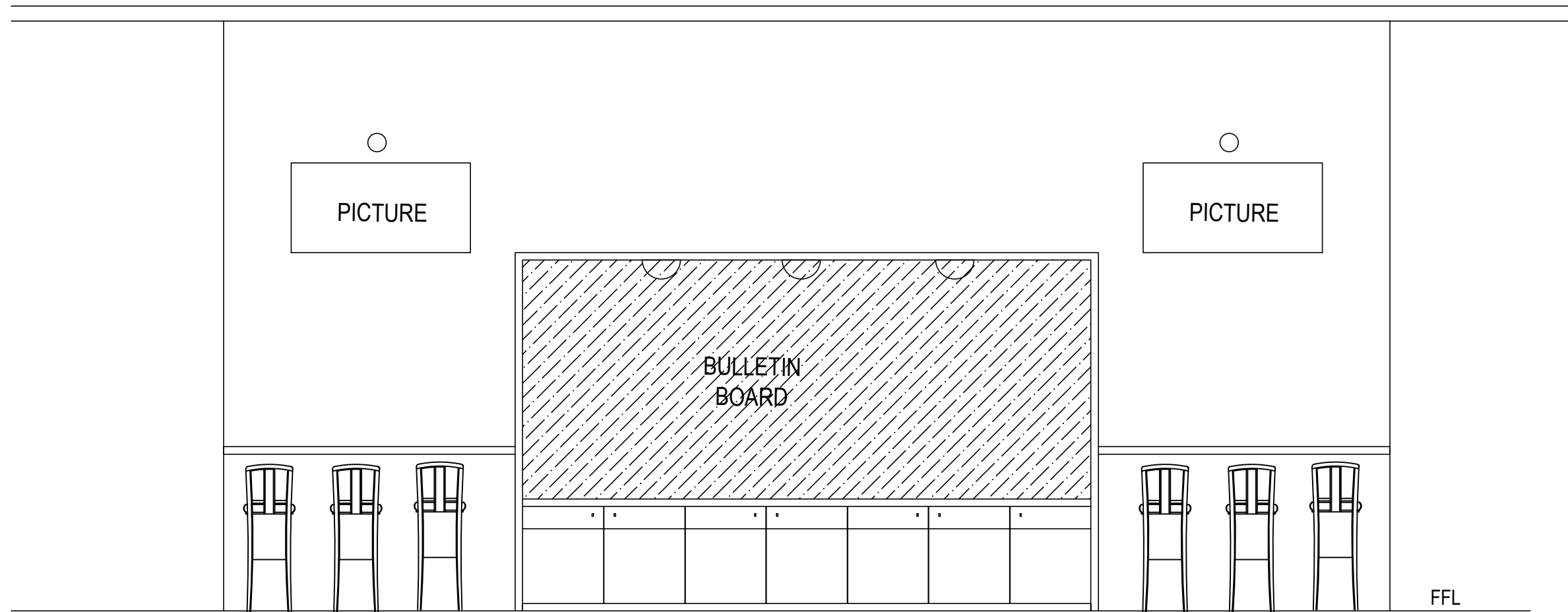
Consultant:
P.C. RASHEED AND ASSOCIATES.
 10/10, P.O. Box 10, Thiruvananthapuram, Kerala
 Contact: 94478 44444, 94478 44444
 Email: p.c.rasheed@pcraa.com, p.c.rasheed@pcraa.com
 Website: www.pcraa.com

CHIEF CONSULTANT:
Er P.C.ABDUL RASHEED B-Tech, FIISLA, FIV.
 REGISTERED ENGINEER-A
 REGN NO CI-3140/2000/69/EA

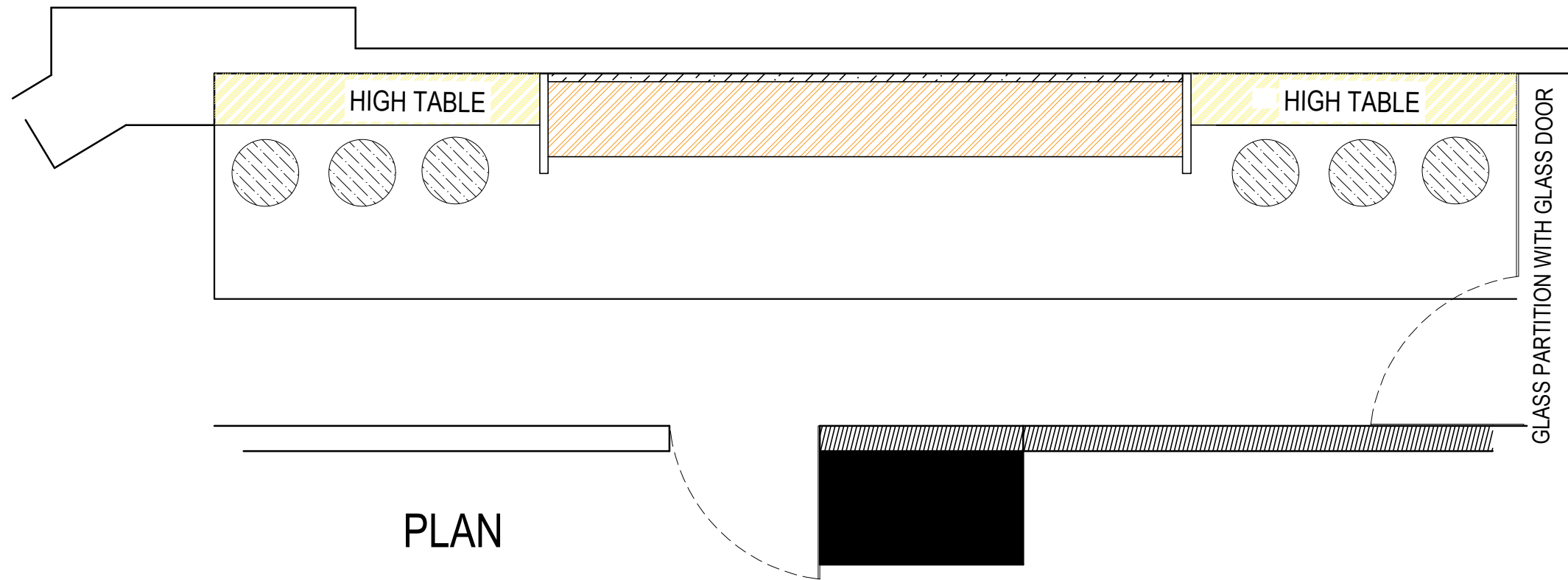
Drawn By:
 Ar. Naval Muhammed
 Ar. Ridha K
 Er.Theertha T
 Er.Noufan VP
CLIENT:
 IISER Thiruvananthapuram

TITLE:
 PROPOSED THIRD FLOOR LAYOUT
Scale: 1:100
Date: 29/01/2026

DWG NO.
EDR
01



ELEVATION



PLAN

PROPOSED INTERIOR DESIGN OF THE CENTRAL LIBRARY AT SECOND FLOOR & THIRD FLOOR
OF ADMINISTRATIVE COMPLEX IN IISER THIRUVANANTHAPURAM

Notes:

1. This drawing is the sole property of m/s p.c.rasheed and associates, the rights of reproduction, modification or alteration are reserved by the consultant.
This drawing is not to be used for any other purpose or any other project.
2. no dimensions are to be scaled out from the drawing, figured dimensions should be followed.
3. check all measurements and levels before commencing the work, intimate the consultant before starting the construction.

REMARKS:

1. Dimensions are in Meters
2. Do not scale out the drawing
3. Columns, Beams sizes as per structural details
4. Laterite for masonry is 20cm thick, unfinished size (The size shown in the drawing)
5. Plastering thickness 1.5cm (Unless specified)

Consultant:

P.C. RASHEED AND ASSOCIATES.
P. C. RASHEED & ASSOCIATES
REGISTERED ENGINEERS
10/10, 10th Floor, The Grand Tower, The Grand Tower,
Cafeteria, 6th Floor, Kerala
Email: p.c.rasheedandassociates@gmail.com
p.c.rasheed@pcra.com
Phone: +91 9895946541, +91 9895946541

CHIEF CONSULTANT:

Er P.C.ABDUL RASHEED B-Tech, FIISLA, FIV.
REGISTERED ENGINEER-A
REGN NO CI-3140/2000/69/EA

Drawn By:
Ar. Naval Muhammed
Ar. Ridha k
Er.Theertha T
Er.Noufan VP

TITLE: ELEVATION E

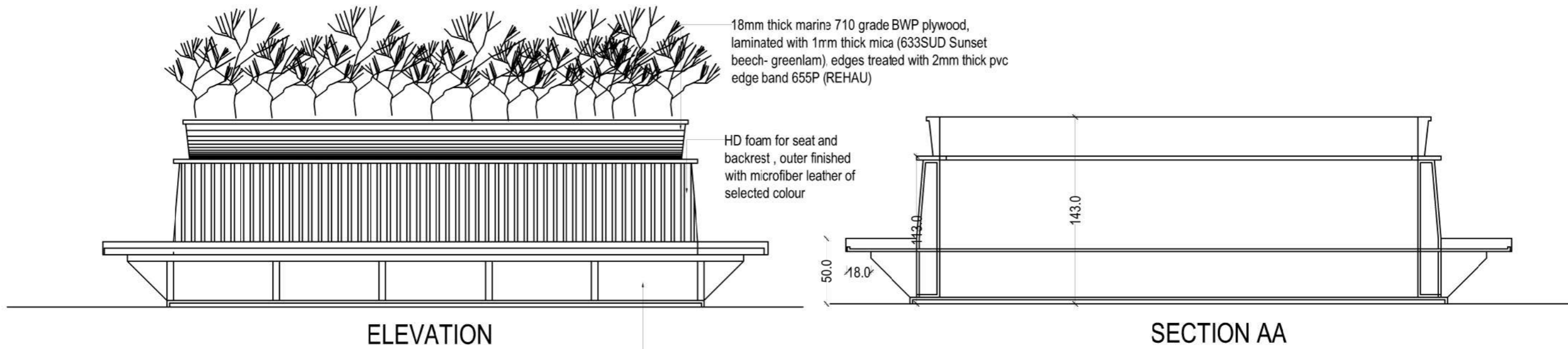
Scale: 1:100

Date:

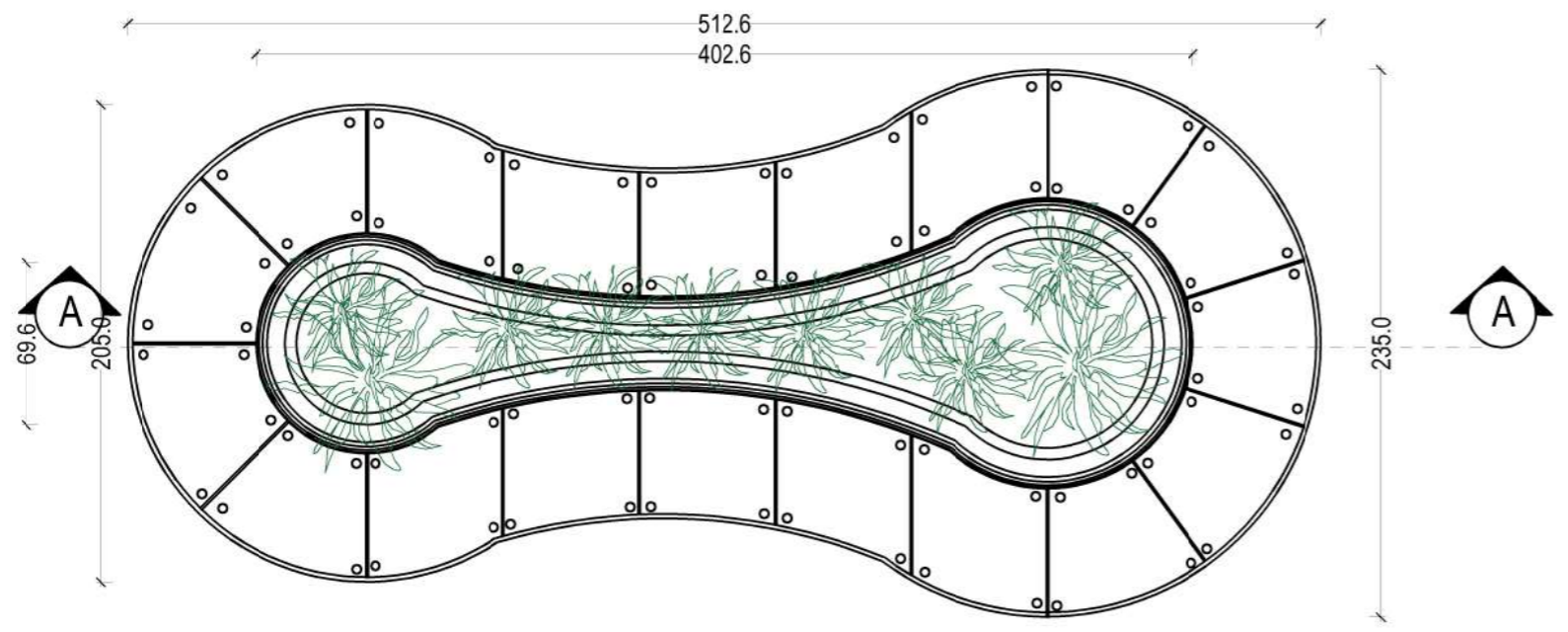
CLIENT:
IISER Thiruvananthapuram

Date:
29/01/2026

DWG NO.
EDR
03A



710 grade BWP plywood, laminated with 1mm thick mica (107 SAT Wool- greenlam), edges treated with 2mm thick pvc edge band 110207 (REHAU)

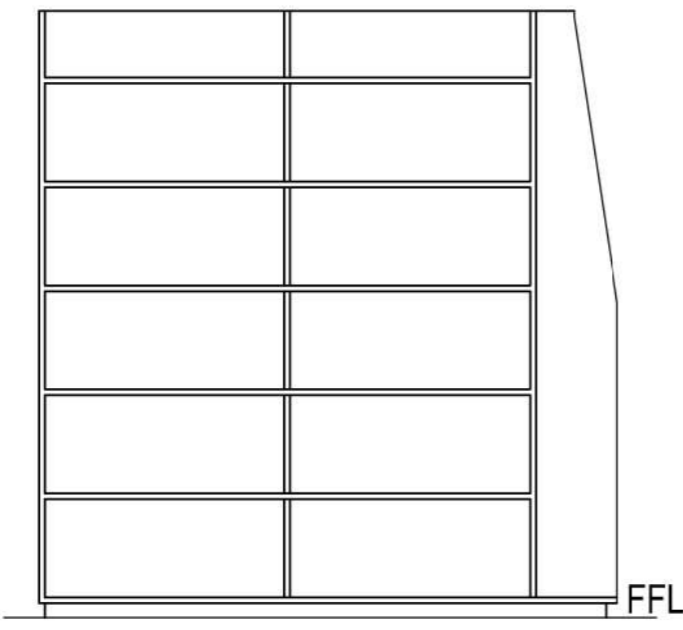


PROPOSED INTERIOR DESIGN OF THE CENTRAL LIBRARY AT SECOND FLOOR & THIRD FLOOR OF ADMINISTRATIVE COMPLEX IN IISER THIRUVANANTHAPURAM

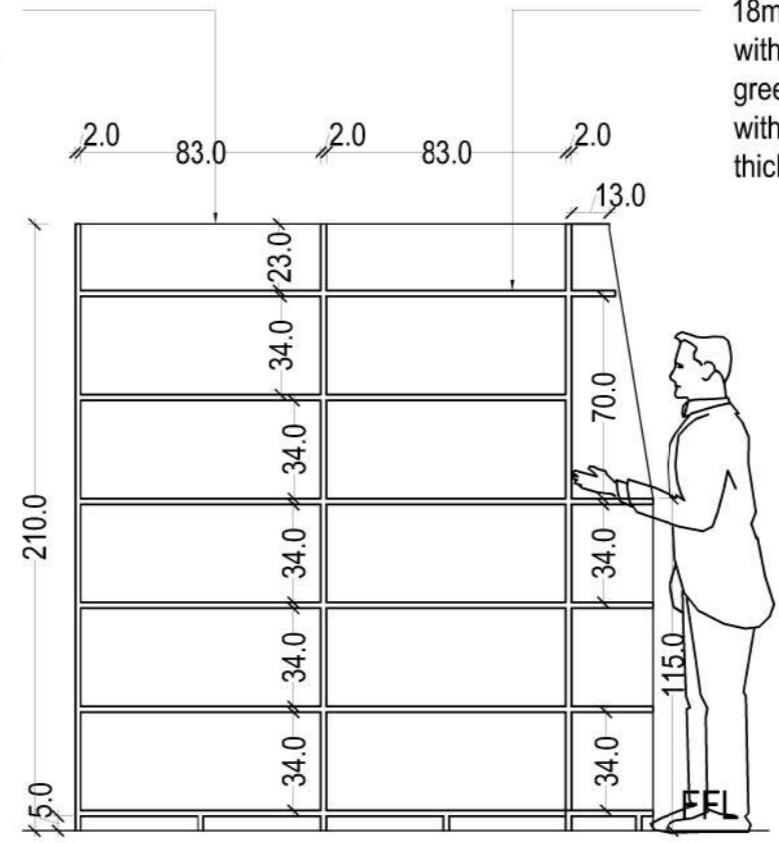
<p>Notes:</p> <p>1. This drawing is the sole property of m/s p.c.rasheed and associates, the rights of reproduction, modification or alteration are reserved by the consultant. This drawing is not to be used for any other purpose or any other project.</p> <p>2. no dimensions are to be scaled out from the drawing. Squared dimensions should be followed.</p> <p>3. check all measurements and levels before commencing the work. Inform the consultant before starting the construction.</p>	<p>REMARKS:</p> <p>1. Dimensions are in Meters</p> <p>2. Do not scale out the drawing</p> <p>3. Columns, Beams sizes as per structural details</p> <p>4. Latelite for masonry is 20cm thick, unfinished size (The size shown in the drawing)</p> <p>5. Plastering thickness 1.5cm (Unless specified)</p>	<p>Consultant: P.C. RASHEED AND ASSOCIATES. WINDHOLE HRD ENGINEERS Ravikulam Road, Kachalappu, Ernakulam P.O., Dist: Kochi-670306, Kerala Detail: p.c.rasheed@pcraa.com p.c.rasheed@pcraa.com Mobile: 98 952944444, +91 9447244443</p>	<p>CHIEF CONSULTANT: Er P.C.ABDUL RASHEED B-Tech,FIIISLA,FIIV. REGISTERED ENGINEER-A REGN NO CI-3140/2000/69/EA</p>	<p>Drawn By: Ar. Navaf Muhammed Ar. Ridha k Er.Treertha T Er.Noufan VP</p>	<p>TITLE: SEATING WITH PLANTS</p>	<p>DWG NO. EDR 04</p>
				<p>CLIENT: IISER Thiruvananthapuram</p>	<p>Scale: 1:100</p>	<p>Date: 29/01/2026</p>

18mm thick BWP, 710 grade plywood laminated with 1mm thick mica of make greenlam, 248 Leafgreen - SAT with matching edgeband 112065 (Rehau)

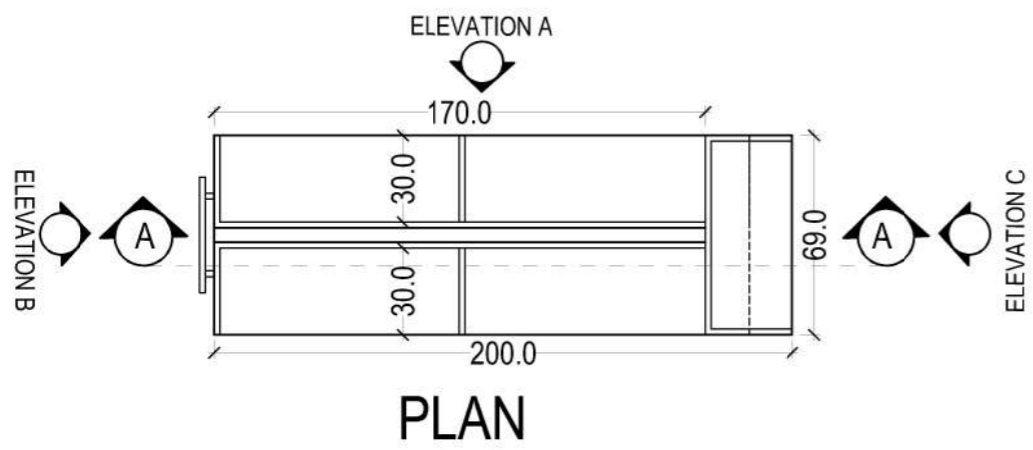
18mm thick BWP, 710 grade plywood laminated with 1mm thick wooden finished mica of make greenlam 633 SUD Sunset Beech, edges treated with matching edgeband (655P Rehau) of 2mm thick.



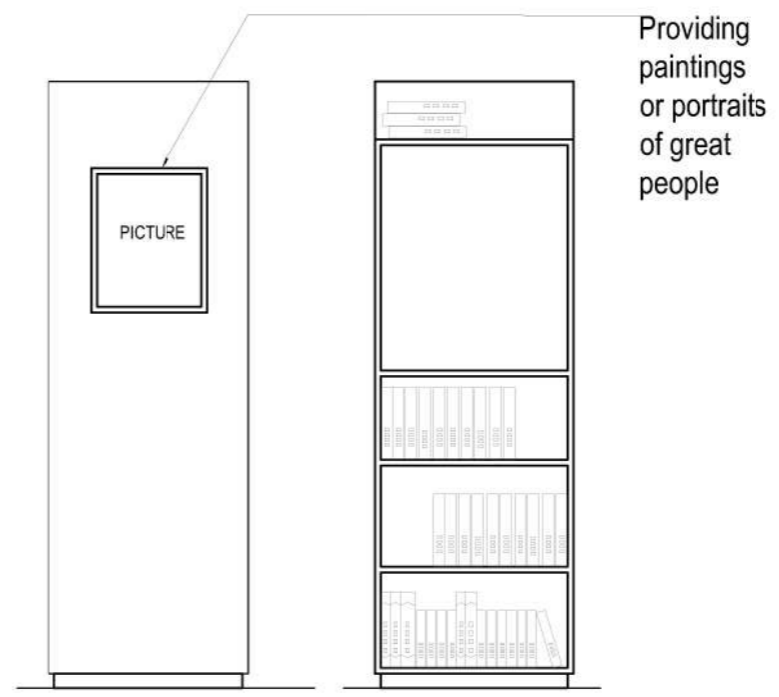
ELEVATION A



SECTION A



PLAN



ELEVATION B

ELEVATION C

PROPOSED INTERIOR DESIGN OF THE CENTRAL LIBRARY AT SECOND FLOOR & THIRD FLOOR OF ADMINISTRATIVE COMPLEX IN IISER THIRUVANANTHAPURAM

Notes:
 1. This drawing is the sole property of m/s p.c.rasheed and associates. the rights of reproduction, modification or alteration are reserved by the consultant.
 2. This drawing is not to be used for any other purpose or any other project.
 3. All dimensions are to be scaled out from the drawing. Squared dimensions should be followed.
 4. Check all measurements and levels before commencing the work. Inform the consultant before starting the construction.

REMARKS:
 1. Dimensions are in Meters
 2. Do not scale out the drawing
 3. Columns, Beams sizes as per structural details
 4. Latente for masonry is 20cm thick, unfinished size (The size shown in the drawing)
 5. Plastering thickness 1.5cm (Unless specified)

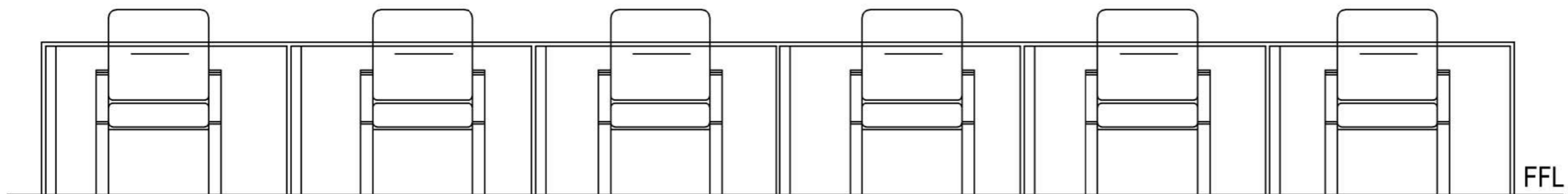
Consultant:
P.C. RASHEED AND ASSOCIATES.
 202 | 3RD FLOOR | 3RD FLOOR
 Karthikeyan Street, Kumbakonam, Tamil Nadu 612022
 Contact: 94421-72101-1, 94421-72101-2
 Email: pcrasheed@pcrasheed.com, pcrasheed@pcrasheed.com
 Website: www.pcraasheed.com, www.pcraasheed.com

CHEF CONSULTANT:
Er P.C.ABDUL RASHEED B-Tech, FIILSLA, FIIV.
 REGISTERED ENGINEER-A
 REGN NO CI-3140/2000/69/EA

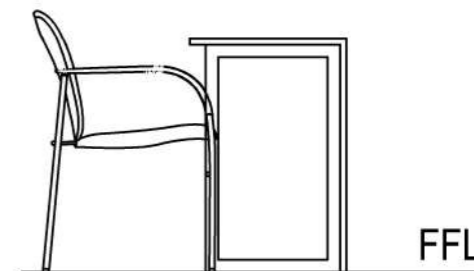
Drawn By:
 Ar. Navaf Muhammed
 Ar. Ridha k
 Er. Treertha T
 Er. Noufan VP

TITLE: BOOKSHELF 2
Scale: 1:100
Date: 29/01/2026
CLIENT: IISER Thiruvananthapuram

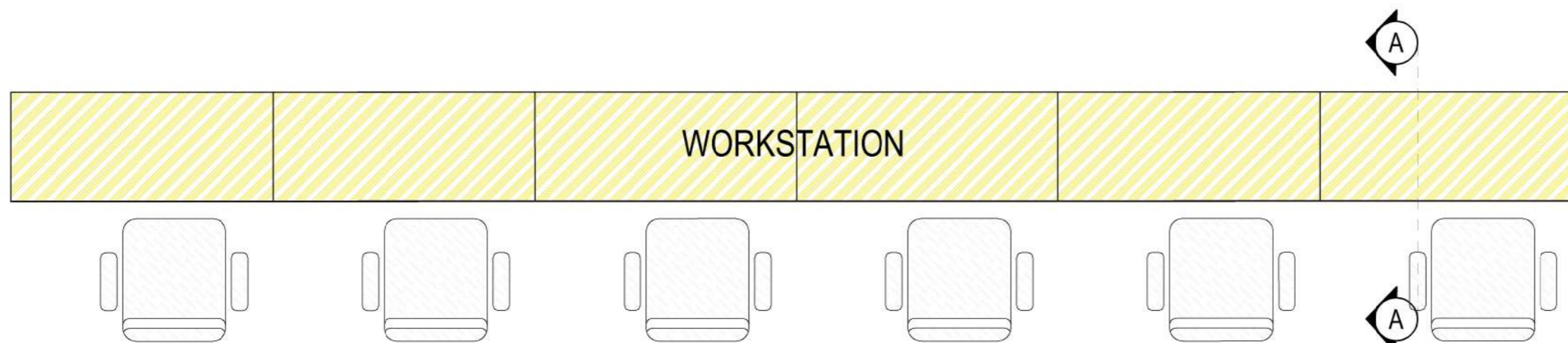
DWG NO.
EDR
08



ELEVATION



SECTION A



PLAN

PROPOSED INTERIOR DESIGN OF THE CENTRAL LIBRARY AT SECOND FLOOR & THIRD FLOOR OF ADMINISTRATIVE COMPLEX IN IISER THIRUVANANTHAPURAM

Notes:

1. This drawing is the sole property of m/s p.c.rasheed and associates. the rights of reproduction, modification or alteration are reserved by the consultant.
 This drawing is not to be used for any other purpose or any other project.
 2. no dimensions are to be scaled out from the drawing. figured dimensions should be followed.
 3. check all measurements and levels before commencing the work. inform the consultant before starting the construction.

REMARKS:

1. Dimensions are in Meters
 2. Do not scale out the drawing
 3. Columns, Beams sizes as per structural details
 4. Latelite for masonry is 20cm thick, unfinished size (The size shown in the drawing)
 5. Plastering thickness 1.5cm (Unless specified)

Consultant:

P.C. RASHEED AND ASSOCIATES.
 P. C. RASHEED & ASSOCIATES
 Kuttuvayal, Thiruvananthapuram, Kerala
 Contact: 9447310199, 844941
 Email: pcrasheedandassociates@gmail.com
 pcrasheed@pqrmail.com
 Website: www.pcrasheedandassociates.com

CHEF CONSULTANT:

Er P.C.ABDUL RASHEED B-Tech,FIJISLA,FIIV.
 REGISTERED ENGINEER-A
 REGN NO CI-3140/2000/69/EA

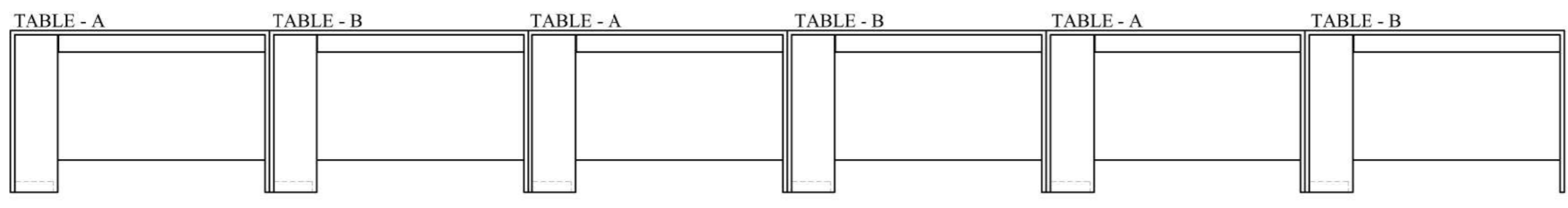
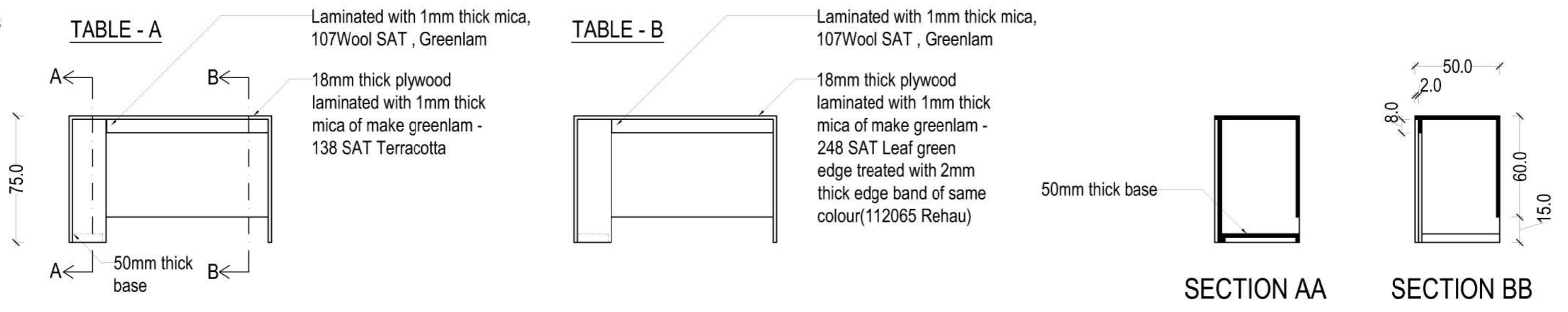
Drawn By:
 Ar. Navaj Muhammed
 Ar. Ridha k
 Er.Treertha T
 Er.Noufan VP

TITLE: **WORKSTATION**

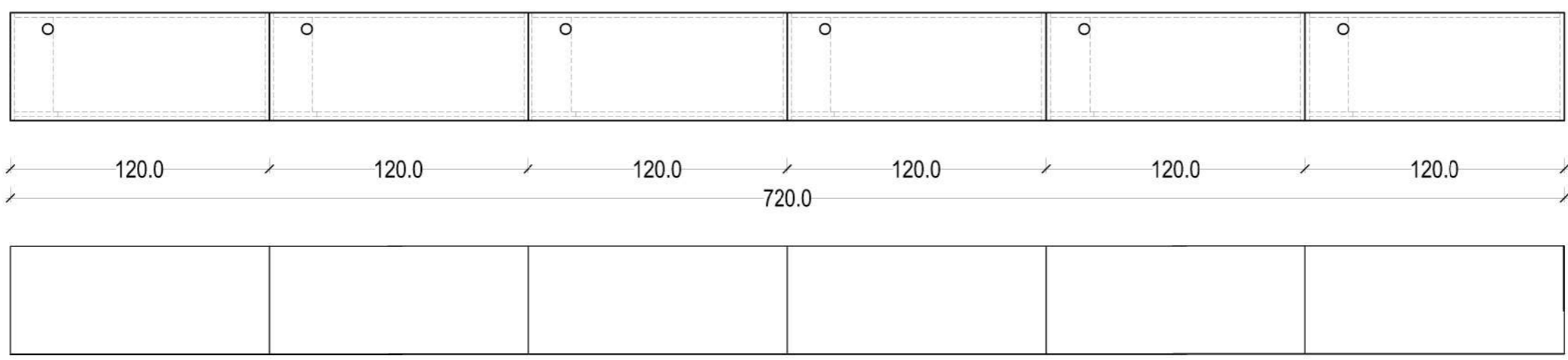
Scale: 1:100 Date: 29/01/2026

CLIENT:
 IISER Thiruvananthapuram

DWG NO.
EDR
11A



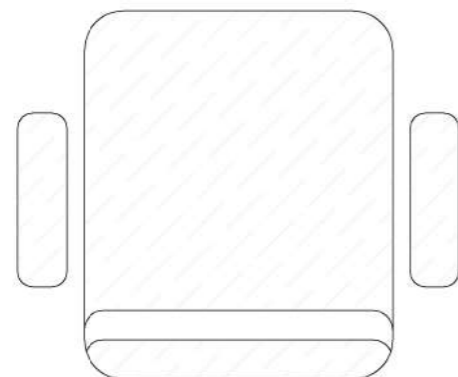
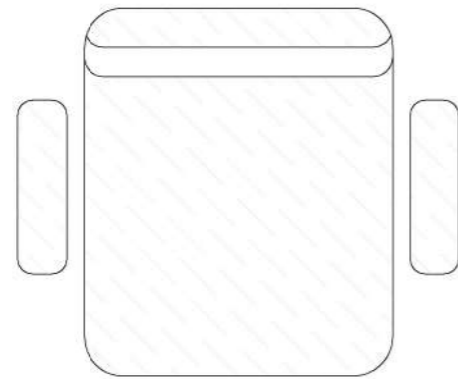
ELEVATION



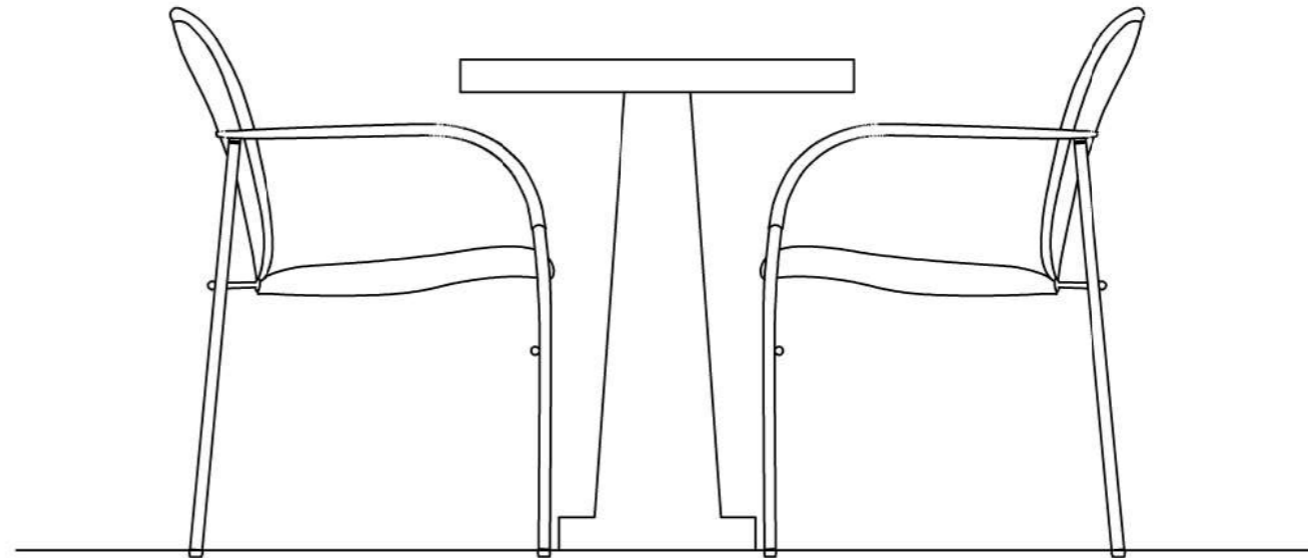
PLAN

PROPOSED INTERIOR DESIGN OF THE CENTRAL LIBRARY AT SECOND FLOOR & THIRD FLOOR OF ADMINISTRATIVE COMPLEX IN IISER THIRUVANANTHAPURAM

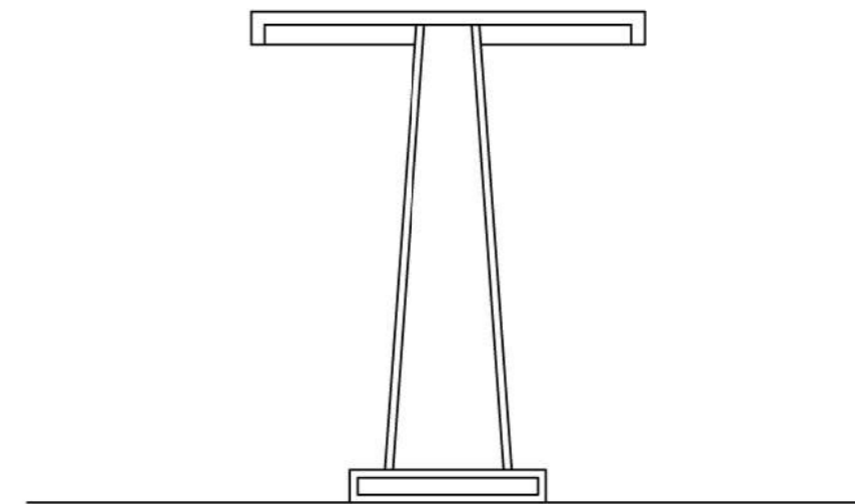
<p>Notes:</p> <ol style="list-style-type: none"> This drawing is the sole property of m/c p.c.rasheed and associates. the rights of reproduction, modification or alteration are reserved by the consultant. This drawing is not to be used for any other purpose or any other project. no dimensions are to be scaled out from the drawing. figured dimensions should be followed. check all measurements and levels before commencing the work. inform the consultant before starting the construction. 	<p>REMARKS:</p> <ol style="list-style-type: none"> Dimensions are in Meters Do not scale out the drawing Columns, Beams sizes as per structural details Latente for masonry is 20cm thick, unfinished size (The size shown in the drawing) Plastering thickness 1.5cm (Unless specified) 	<p>Consultant: P.C. RASHEED AND ASSOCIATES. P. C. RASHEED & ASSOCIATES B-10/11, KADAMBA, ENNAYAKKONAM P.O., KOLLAM-671019, KERALA Email: pcrasheedandassociates@gmail.com pcrasheed@pccra.com Phone: 91-9895846461, 91-9897464641</p>	<p>CHEF CONSULTANT: Er P.C.ABDUL RASHEED B-Tech,FIIISLA,FIIV. REGISTERED ENGINEER-A REGN NO CI-3140/2000/69/EA</p>	<p>Drawn By: Ar. Naval Muhammed Ar. Ridha k Er. Treertha T Er. Noufan VP</p>	<p>TITLE: WORKSTATION</p>	<p>DWG NO. EDR 11B</p>
				<p>CLIENT: IISER Thiruvananthapuram</p>	<p>Scale: 1:100</p>	



PLAN



ELEVATION



SECTION

PROPOSED INTERIOR DESIGN OF THE CENTRAL LIBRARY AT SECOND FLOOR & THIRD FLOOR OF ADMINISTRATIVE COMPLEX IN IISER THIRUVANANTHAPURAM

Notes:
 1. This drawing is the sole property of m/s p.c.rasheed and associates. the rights of reproduction, modification or alteration are reserved by the consultant.
 2. This drawing is not to be used for any other purpose or any other project.
 3. No dimensions are to be scaled out from the drawing. Squared dimensions should be followed.
 4. Check all measurements and levels before commencing the work. Inform the consultant before starting the construction.

REMARKS:
 1. Dimensions are in Meters
 2. Do not scale out the drawing
 3. Columns, Beams sizes as per structural details
 4. Latente for masonry is 20cm thick, unfinished size (The size shown in the drawing)
 5. Plastering thickness 1.5cm (Unless specified)

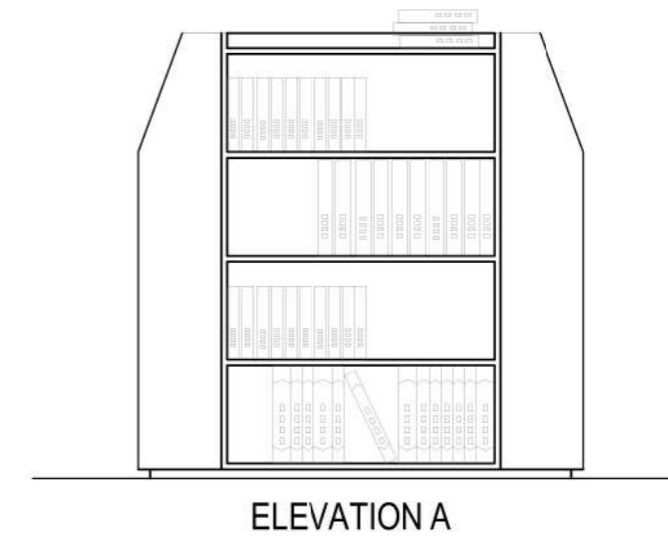
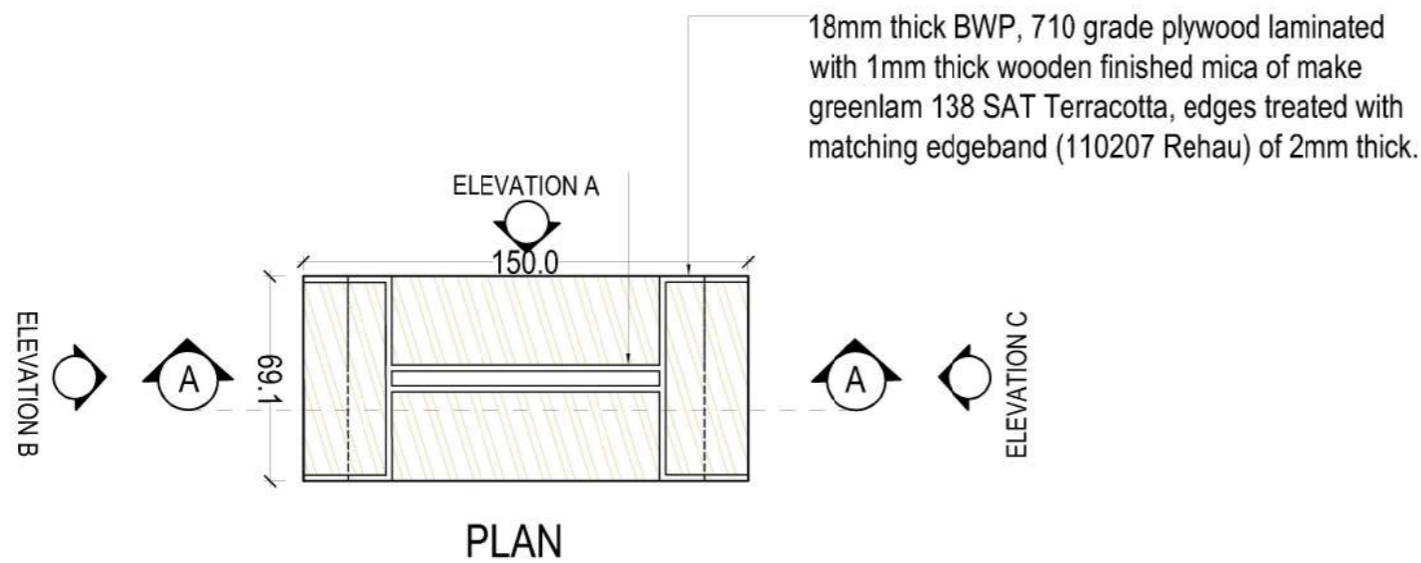
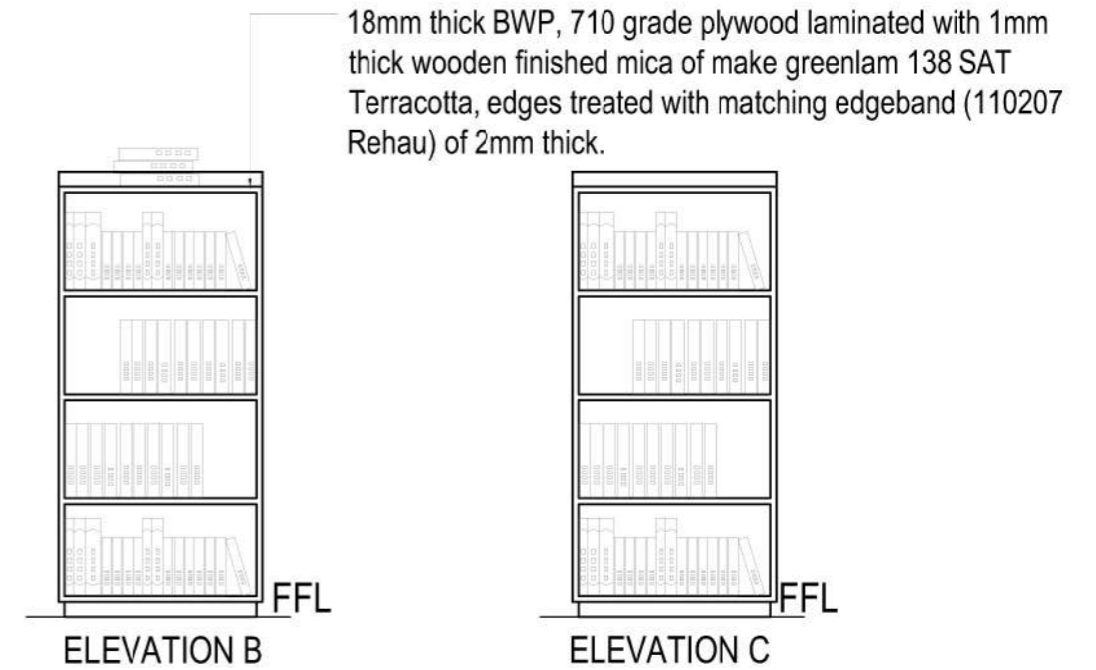
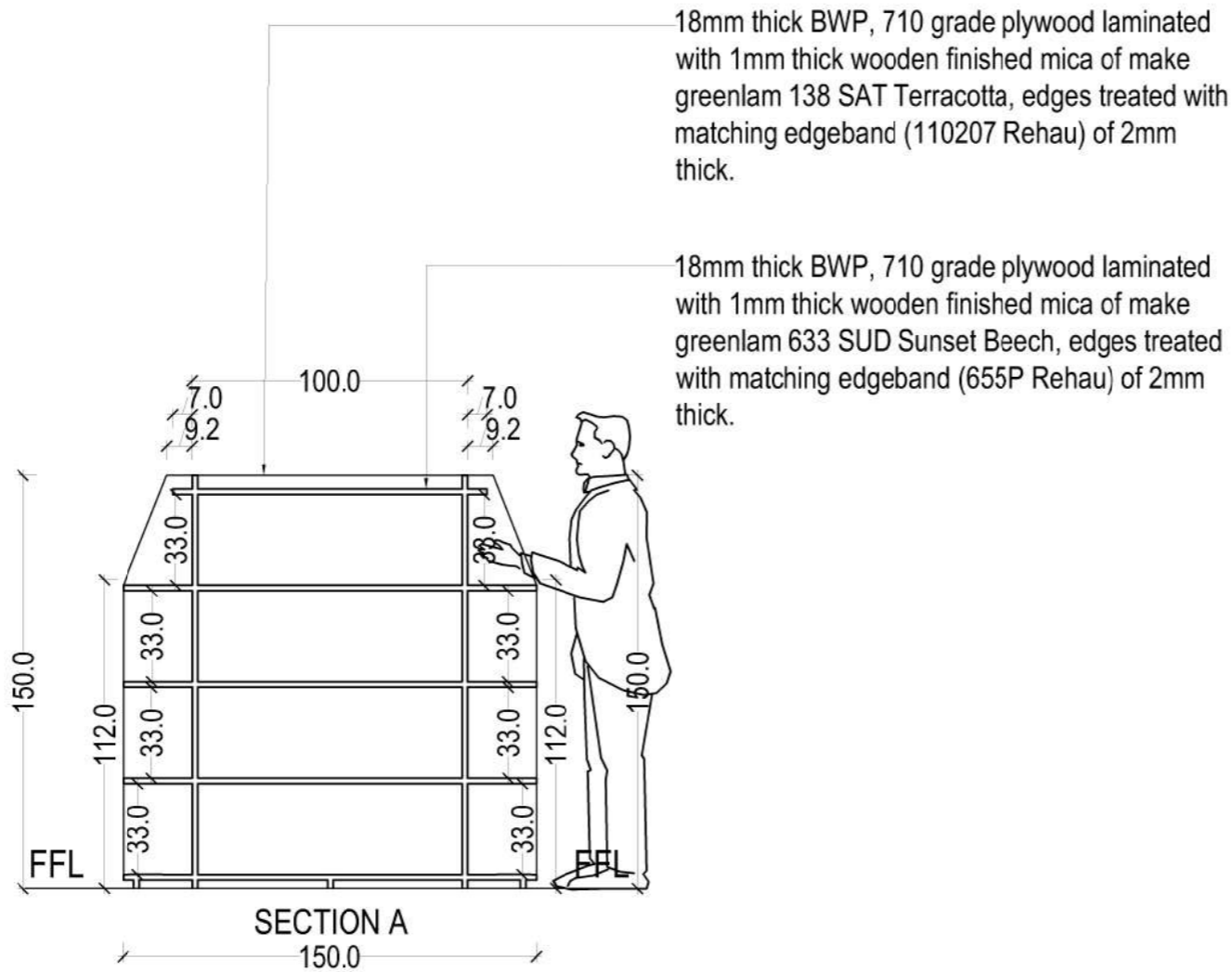
Consultant:
P.C. RASHEED AND ASSOCIATES.
 ENGINEERS AND ARCHITECTS
 Karthar, Topal, Kanchipuram, Erode District, Tamil Nadu
 Contact: 97898 44444
 Email: pcrasheedandassociates@gmail.com
 www.pcrasheedandassociates.com
 Regd. No: 29050A/2011, 101/2007A/2011

CHEF CONSULTANT:
Er P.C.ABDUL RASHEED B-Tech, FIILSLA, FIIV.
 REGISTERED ENGINEER-A
 REGN NO CI-3140/2000/69/EA

Drawn By:
 Ar. Navaf Muhammed
 Ar. Ridha k
 Er. Treertha T
 Er. Noufan VP

TITLE: **SQUARE TABLE**
 Scale: 1:100
 Date: 29/01/2026
 CLIENT: **IISER Thiruvananthapuram**

DWG NO.
EDR
13A



PROPOSED INTERIOR DESIGN OF THE CENTRAL LIBRARY AT SECOND FLOOR & THIRD FLOOR OF ADMINISTRATIVE COMPLEX IN IISER THIRUVANANTHAPURAM

Notes:

1. This drawing is the sole property of m/s p.c.rasheed and associates. the rights of reproduction, modification or alteration are reserved by the consultant.
2. This drawing is not to be used for any other purpose or any other project.
3. All dimensions are to be scaled out from the drawing. Squared dimensions should be followed.
4. Check all measurements and levels before commencing the work. Intimate the consultant before starting the construction.

REMARKS:

1. Dimensions are in Meters
2. Do not scale out the drawing
3. Columns, Beams sizes as per structural details
4. Latelite for masonry is 20cm thick, unfinished size (The size shown in the drawing)
5. Plastering thickness 1.5cm (Unless specified)

Consultant:

P.C. RASHEED AND ASSOCIATES.
 202 | B | H | F | E | R | E | S | E | R
 Karthar Street, Kanchibettu, Ernakulam P.O.,
 Kerala-682019, India
 Contact: 9447310109, 844941
 Email: pcrasheedandassociates@gmail.com
 pcrasheedandassociates.com
 (Mobile: 91 9895846461, 91 9897442461)

CHEF CONSULTANT:

Er P.C.ABDUL RASHEED B-Tech,FIIISLA,FIIV,
 REGISTERED ENGINEER-A
 REGN NO CI-3140/2000/69/EA

Drawn By:

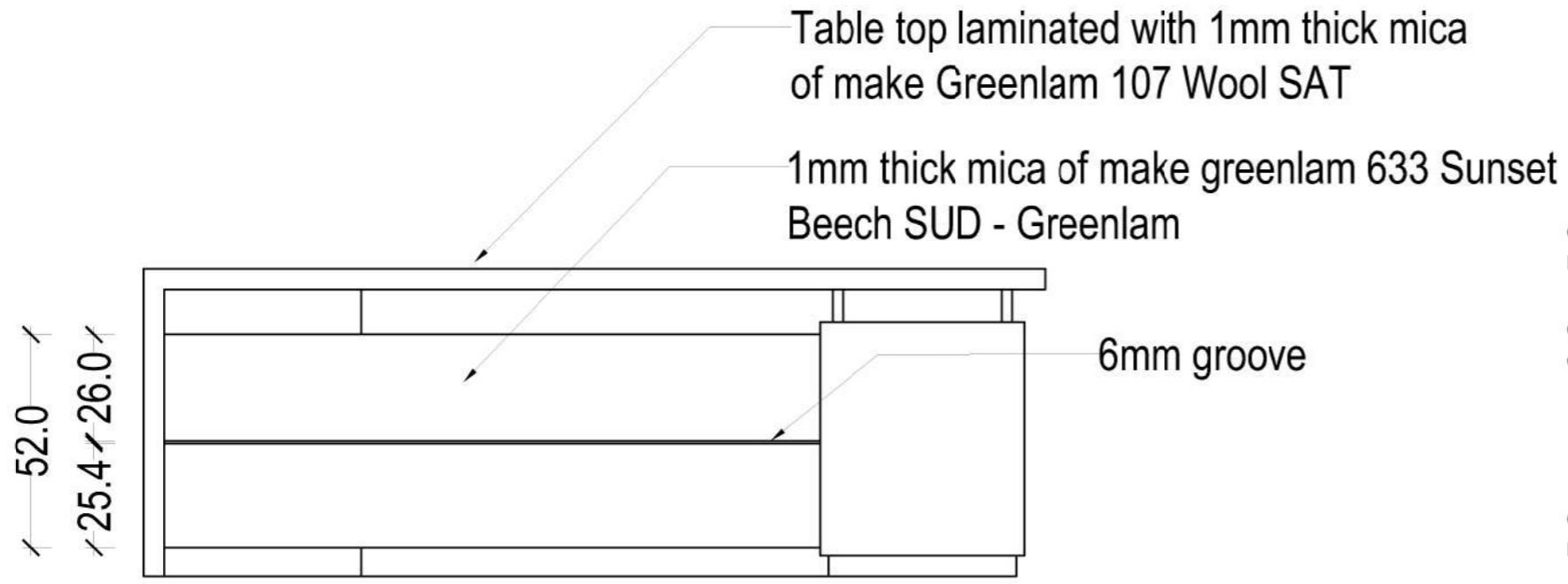
Ar. Navaf Muhammed
 Ar. Ridha k
 Er.Treertha T
 Er.Noufan VP
 CLIENT:
 IISER Thiruvananthapuram

TITLE: BOOKSHELF 3

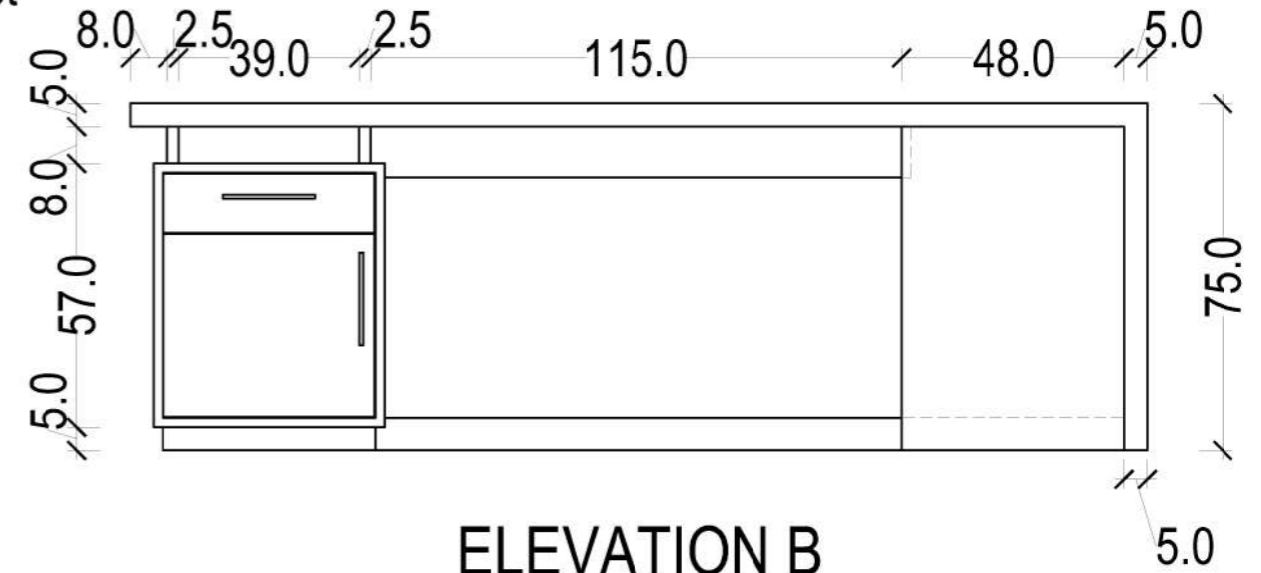
Scale: 1:100 Date: 29/01/2026

DWG NO.

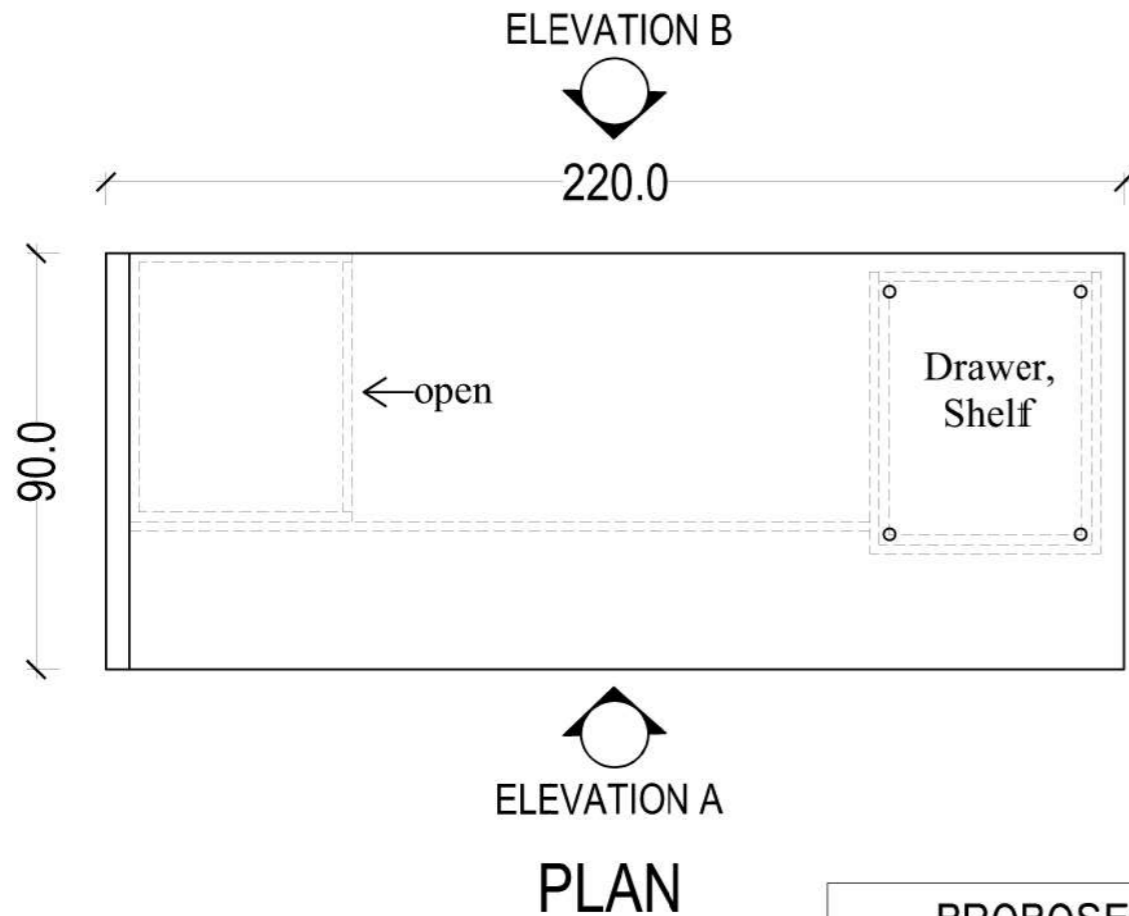
EDR
 14



ELEVATION A



ELEVATION B



PROPOSED INTERIOR DESIGN OF THE CENTRAL LIBRARY AT SECOND FLOOR & THIRD FLOOR OF ADMINISTRATIVE COMPLEX IN IISER THIRUVANANTHAPURAM

Notes:
 1. This drawing is the sole property of Mr. P.C. Rasheed and associates. The rights of reproduction, modification or alteration are reserved by the consultant.
 2. This drawing is not to be used for any other purpose or any other project.
 3. No dimensions are to be scaled out from the drawing. Squared dimensions should be followed.
 4. Check all measurements and levels before commencing the work. Inform the consultant before starting the construction.

REMARKS:
 1. Dimensions are in Meters
 2. Do not scale out the drawing
 3. Columns, Beams sizes as per structural details
 4. Latente for masonry is 20cm thick, unfinished size (The size shown in the drawing)
 5. Plastering thickness 1.5cm (Unless specified)

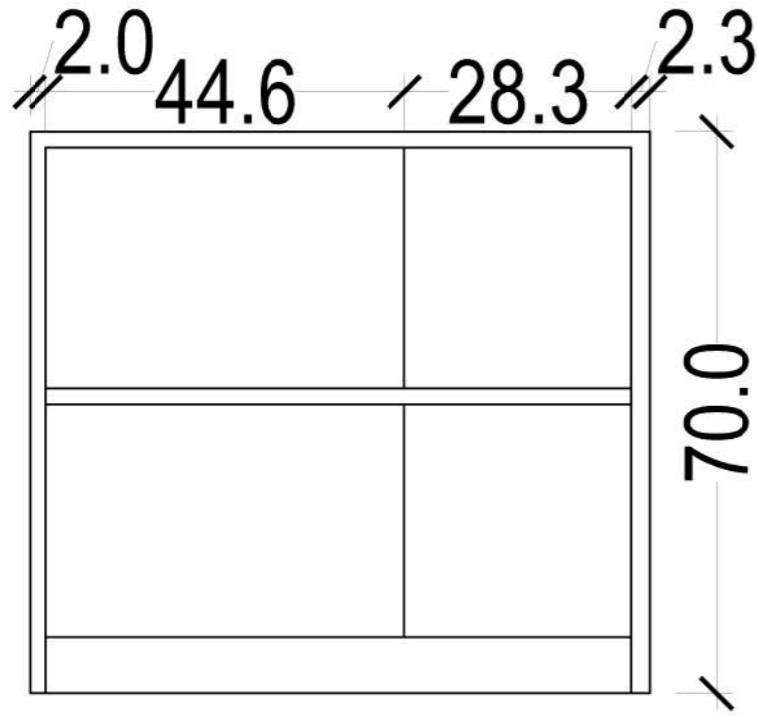
Consultant:
P.C. RASHEED AND ASSOCIATES.
 0810888 304 8701101010
 Karobor, Topal, Kanchibana, Ernakulam P.O.,
 Kerala-671019- KERALA
 Email: pcrasheedandassociates@gmail.com
 pcrasheedandassociates@gmail.com
 Mobile: 91 9895846461, 91 9897442441

CHEF CONSULTANT:
Er P.C.ABDUL RASHEED B-Tech, FIILSLA, FIIV.
 REGISTERED ENGINEER-A
 REGN NO CI-3140/2000/69/EA

Drawn By:
 Ar. Navaf Muhammed
 Ar. Ridha k
 Er. Treertha T
 Er. Noufan VP

TITLE: LIBRARIAN TABLE
Scale: 1:100
Date: 29/01/2026
CLIENT: IISER Thiruvananthapuram

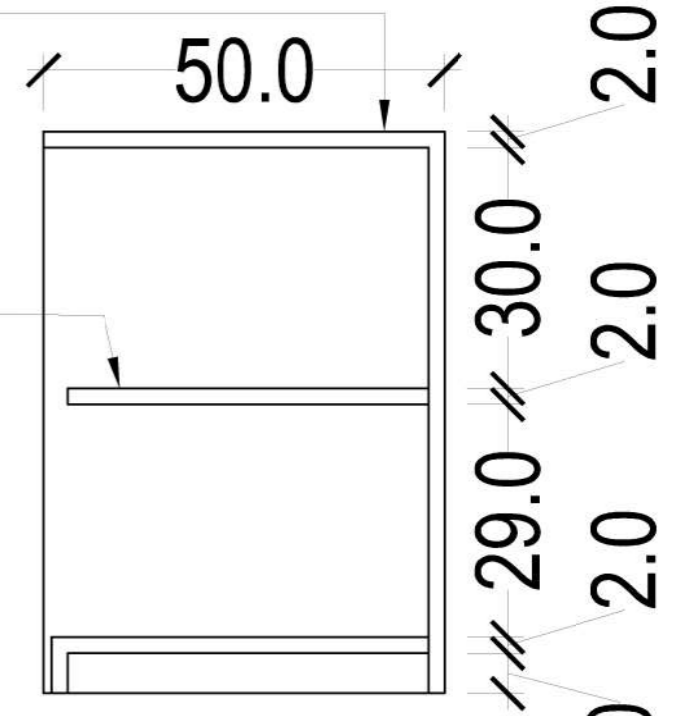
DWG NO.
EDR
16



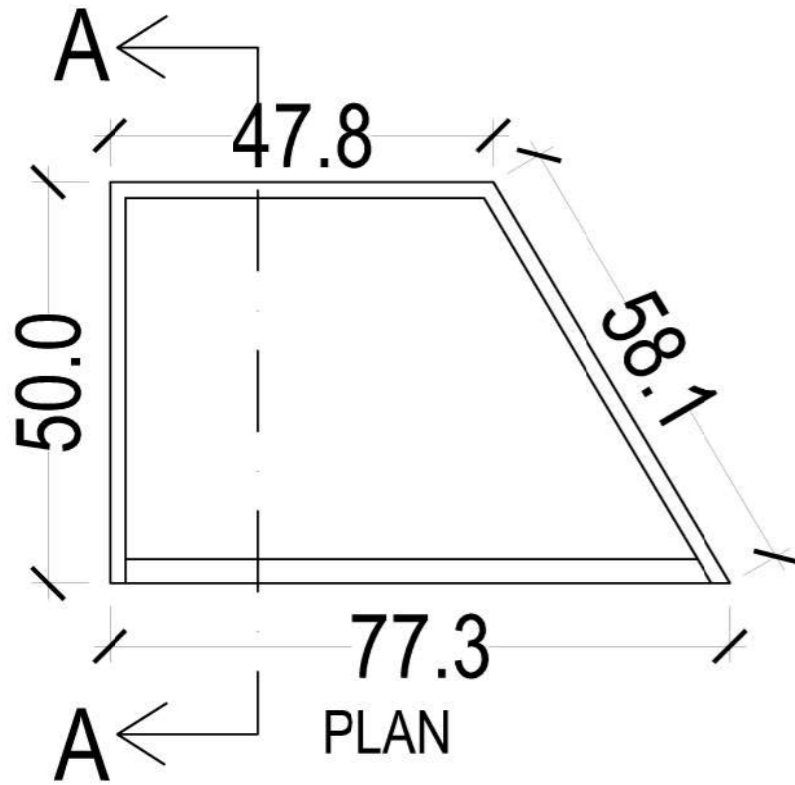
ELEVATION

Laminated with 1mm thick mica of make Greenlam -107 WOOL - SAT with matching edgeband 110207 (Rehau)

18mm thick marine 710 grade BWP plywood, laminated with 1mm thick mica (633SUD Sunset beech- greenlam), edges treated with 2mm thick pvc edge band 655P (REHAU)



SECTION AA



PLAN

PROPOSED INTERIOR DESIGN OF THE CENTRAL LIBRARY AT SECOND FLOOR & THIRD FLOOR OF ADMINISTRATIVE COMPLEX IN IISER THIRUVANANTHAPURAM

Notes:

1. This drawing is the sole property of m/s p.c.rasheed and associates. the rights of reproduction, modification or alteration are reserved by the consultant. this drawing is not to be used for any other purpose or any other project.
2. no dimensions are to be scaled out from the drawing. figured dimensions should be followed.
3. check all measurements and levels before commencing the work. inform the consultant before starting the construction.

REMARKS:

1. Dimensions are in Meters
2. Do not scale out the drawing
3. Columns, Beams sizes as per structural details
4. Latente for masonry is 20cm thick, unfinished size (The size shown in the drawing)
5. Plastering thickness 1.5cm (Unless specified)

Consultant:

P.C. RASHEED AND ASSOCIATES.
 ENGINEERS & ARCHITECTS
 Karthikeyan Street, Kanchipuram, Tamil Nadu 631505, India
 Contact: 94424-73105-8464
 Email: pcrasheedandassociates@gmail.com
 pcrasheedandassociates.com
 Web: 91-9959846461, 91-9959846461

CHEF CONSULTANT:

Er P.C.ABDUL RASHEED B-Tech,FIILSLA,FIIV.
 REGISTERED ENGINEER-A
 REGN NO CI-3140/2000/69/EA

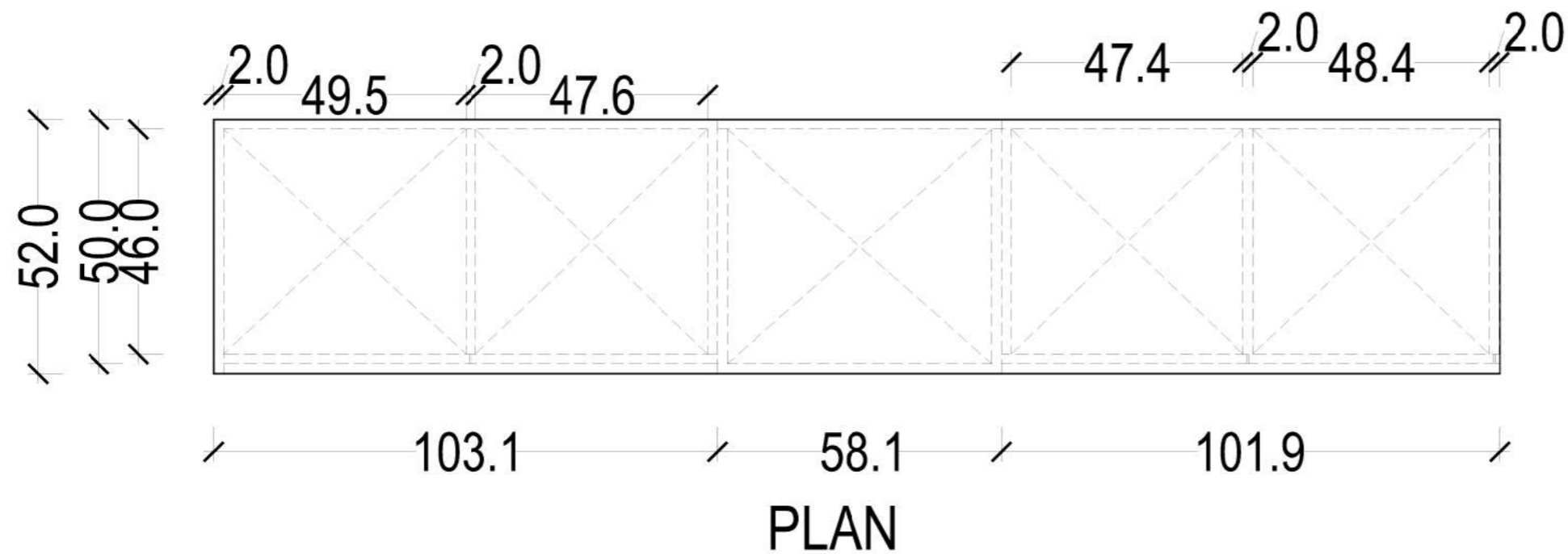
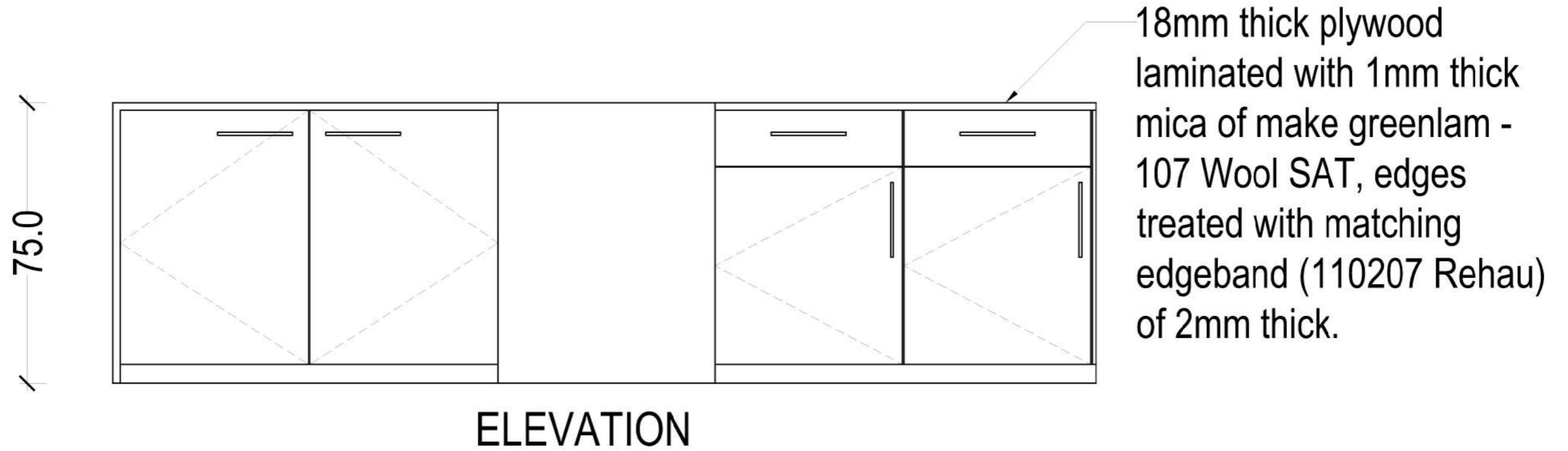
Drawn By:
 Ar. Navaf Muhammed
 Ar. Ridha k
 Er.Treetha T
 Er.Noufan VP

TITLE: CONNECTING SHELF

Scale: 1:100 Date: 29/01/2026

CLIENT:
 IISER Thiruvananthapuram

DWG NO.
EDR
 17



PROPOSED INTERIOR DESIGN OF THE CENTRAL LIBRARY AT SECOND FLOOR & THIRD FLOOR OF ADMINISTRATIVE COMPLEX IN IISER THIRUVANANTHAPURAM

Notes:
 1. This drawing is the sole property of Mr. P.C. Rasheed and associates. The rights of reproduction, modification or alteration are reserved by the consultant.
 2. This drawing is not to be used for any other purpose or any other project.
 3. No dimensions are to be scaled out from the drawing. Squared dimensions should be followed.
 4. Check all measurements and levels before commencing the work. Inform the consultant before starting the construction.

REMARKS:
 1. Dimensions are in Meters
 2. Do not scale out the drawing
 3. Columns, Beams sizes as per structural details
 4. Latente for masonry is 20cm thick, unfinished size (The size shown in the drawing)
 5. Plastering thickness 1.5cm (Unless specified)

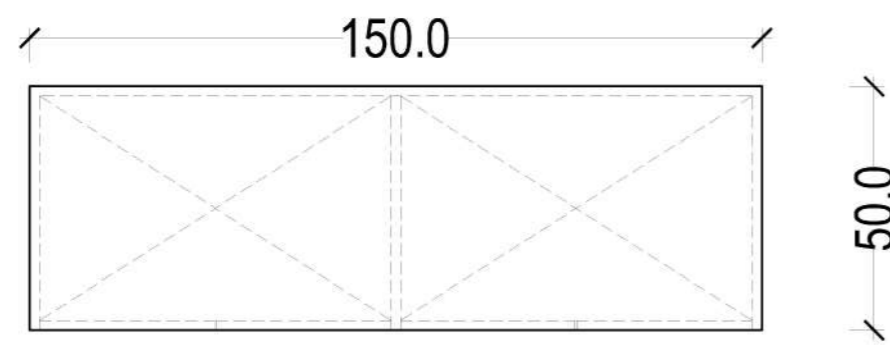
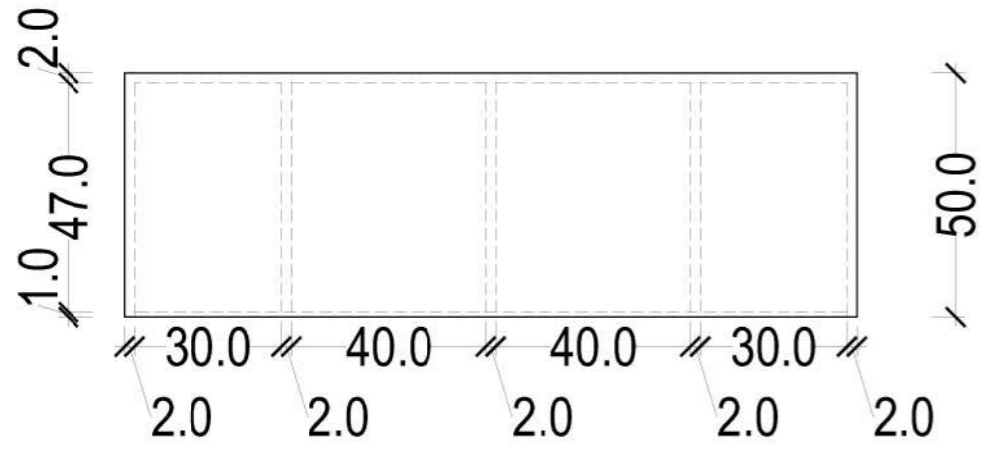
Consultant:
P.C. RASHEED AND ASSOCIATES.
 ENGINEERS AND ARCHITECTS
 Harbour, Top, Kadambam, Ernakulam P.O.,
 Kerala-670309- KERALA
 Email: pcrasheedandassociates@gmail.com
 pcrasheedandassociates@gmail.com
 Mobile: 91-9895866441, 91-9897461361

CHEF CONSULTANT:
Er P.C.ABDUL RASHEED B-Tech, FIISLA, FIIV.
 REGISTERED ENGINEER-A
 REGN NO CI-3140/2000/69/EA

Drawn By:
 Ar. Naval Muhammed
 Ar. Ridha k
 Er. Treertha T
 Er. Noufan VP

TITLE: 75 CM HEIGHT SHELF
Scale: 1:100
Date: 29/01/2026
CLIENT: IISER Thiruvananthapuram

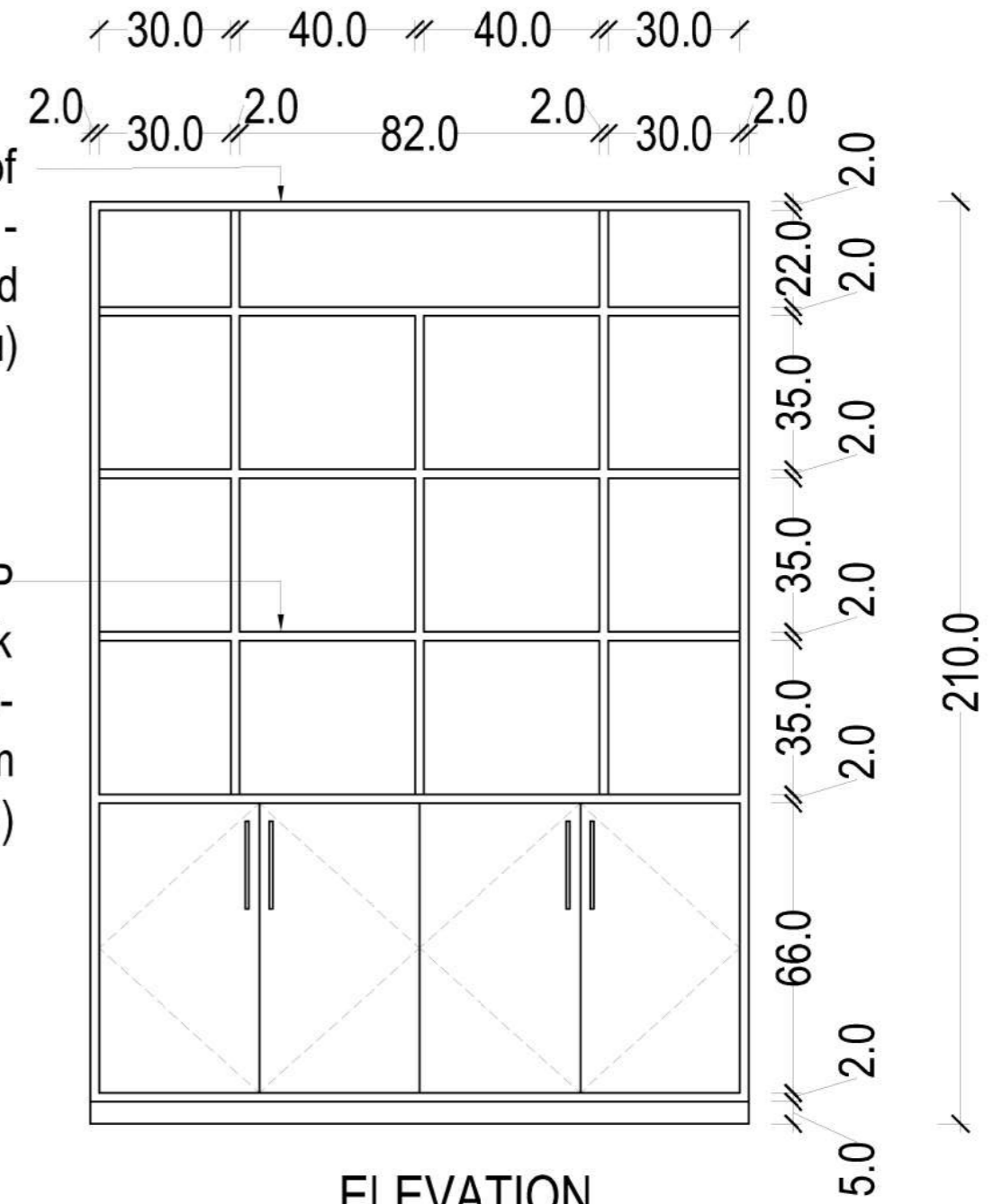
DWG NO.
EDR
18



PLAN

Laminated with 1mm thick mica of make Greenlam -107 WOOL - SAT with matching edgeband 110207 (Rehau)

18mm thick marine 710 grade BWP plywood, laminated with 1mm thick mica (633SUD Sunset beech-greenlam), edges treated with 2mm thick pvc edge band 655P (REHAU)



ELEVATION

PROPOSED INTERIOR DESIGN OF THE CENTRAL LIBRARY AT SECOND FLOOR & THIRD FLOOR OF ADMINISTRATIVE COMPLEX IN IISER THIRUVANANTHAPURAM

Notes:
 1. This drawing is the sole property of m/s p.c.rasheed and associates. the rights of reproduction, modification or alteration are reserved by the consultant.
 2. This drawing is not to be used for any other purpose or any other project.
 3. All dimensions are to be scaled out from the drawing. Squared dimensions should be followed.
 4. Check all measurements and levels before commencing the work. Inform the consultant before starting the construction.

REMARKS:
 1. Dimensions are in Meters
 2. Do not scale out the drawing
 3. Columns, Beams sizes as per structural details
 4. Latente for masonry is 20cm thick, unfinished size (The size shown in the drawing)
 5. Plastering thickness 1.5cm (Unless specified)

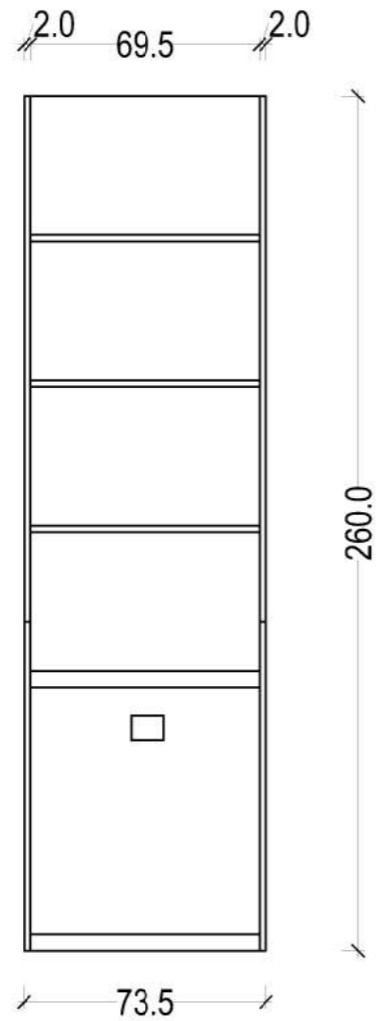
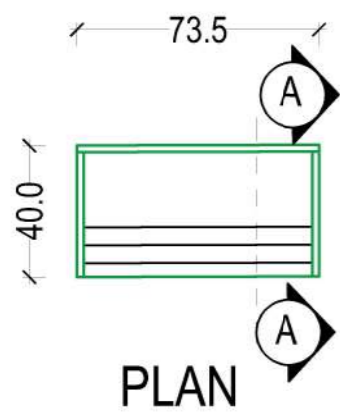
Consultant:
P.C. RASHEED AND ASSOCIATES.
 202 | 11th Floor | 3rd Main Road | Kothamangalam
 Kottayam District, Kerala, India
 Phone: +91 9447210101
 Email: pcrasheed@pcraa.com
 Website: www.pcraa.com

CHEF CONSULTANT:
Er P.C.ABDUL RASHEED B-Tech,FIJISLA,FIIV.
 REGISTERED ENGINEER-A
 REGN NO CI-3140/2000/69/EA

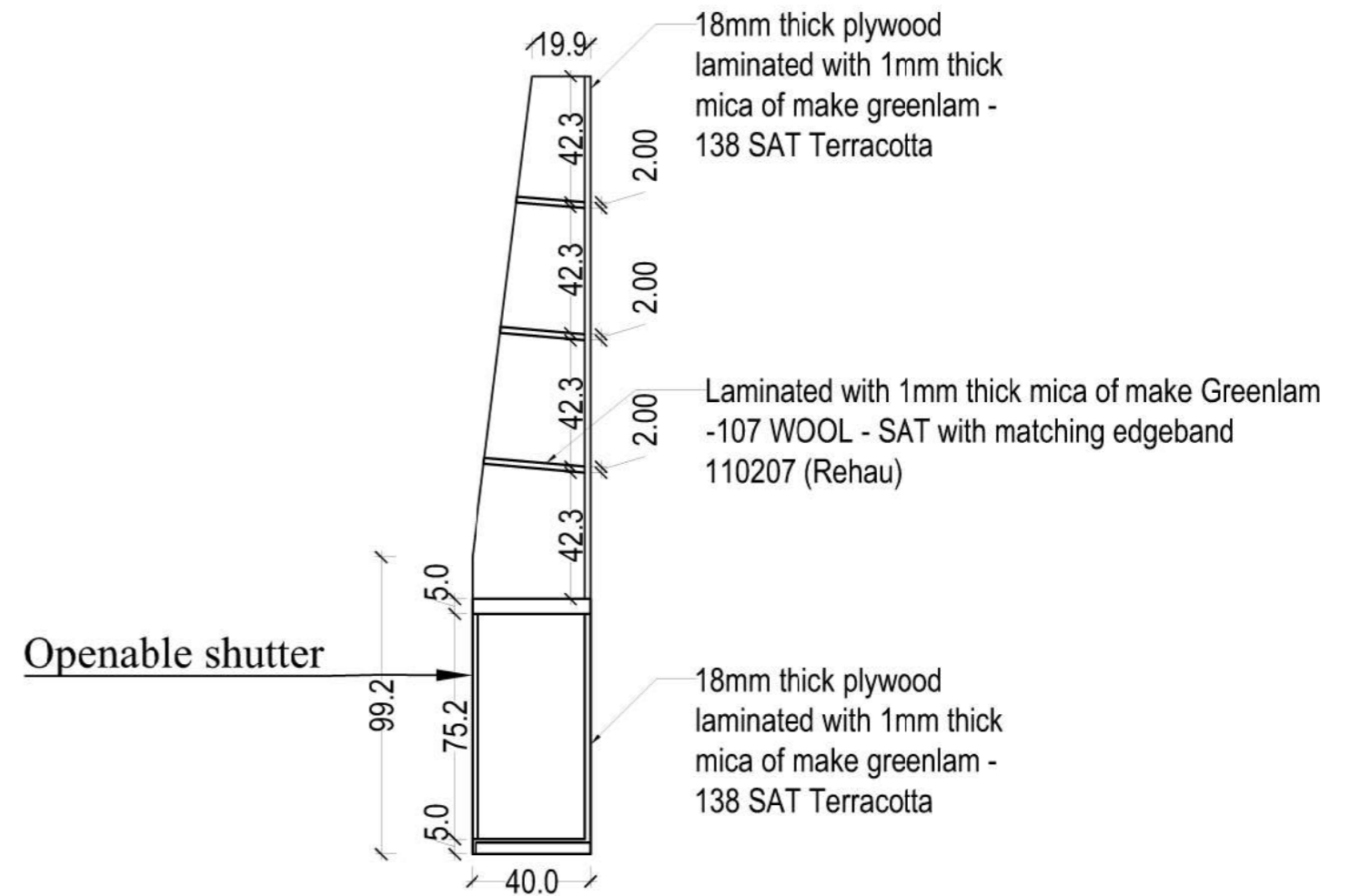
Drawn By:
 Ar. Navaf Muhammed
 Ar. Ridha k
 Er.Treertha T
 Er.Noufan VP
CLIENT:
 IISER Thiruvananthapuram

TITLE: FULL HEIGHT SHELF
Scale: 1:100
Date: 29/01/2026

DWG NO.
EDR
19



ELEVATION



SECTION AA

PROPOSED INTERIOR DESIGN OF THE CENTRAL LIBRARY AT SECOND FLOOR & THIRD FLOOR OF ADMINISTRATIVE COMPLEX IN IISER THIRUVANANTHAPURAM

Notes:

1. This drawing is the sole property of m/c p.c.rasheed and associates, the rights of reproduction, modification or alteration are reserved by the consultant. This drawing is not to be used for any other purpose or any other project.
2. no dimensions are to be scaled out from the drawing. Squared dimensions should be followed.
3. check all measurements and levels before commencing the work. Inform the consultant before starting the construction.

REMARKS:

1. Dimensions are in Meters
2. Do not scale out the drawing
3. Columns, Beams sizes as per structural details
4. Latente for masonry is 20cm thick, unfinished size (The size shown in the drawing)
5. Plastering thickness 1.5cm (Unless specified)

Consultant:

P.C. RASHEED AND ASSOCIATES.
REGISTERED ENGINEER-A
 REGN NO CI-3140/2000/69/EA

CHEF CONSULTANT:

Er P.C.ABDUL RASHEED B-Tech,FIIISLA,FIIV.
 REGISTERED ENGINEER-A
 REGN NO CI-3140/2000/69/EA

Drawn By:

Ar. NAVAL MUHAMMED
 Ar. Rdha k
 Er.Noufan VP

TITLE: COLUMN BOOK SHELF 2

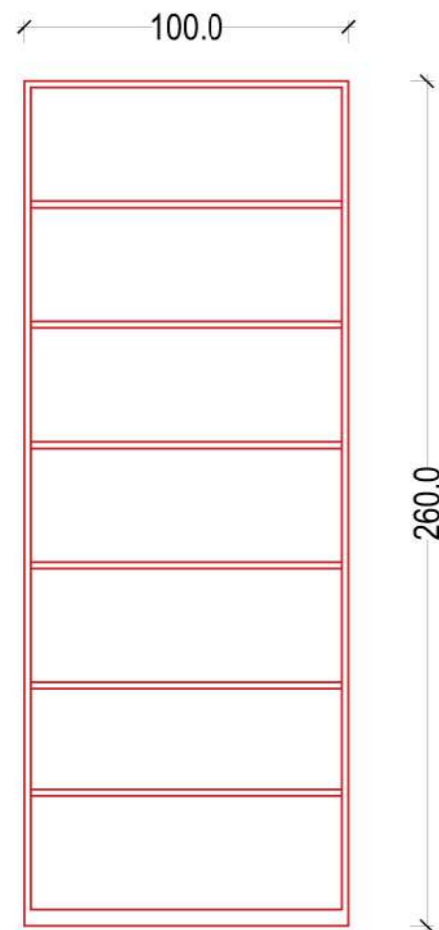
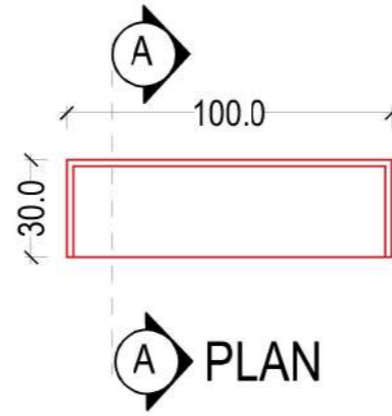
Scale: 1:100
 Date: 20/12/2024

CLIENT:

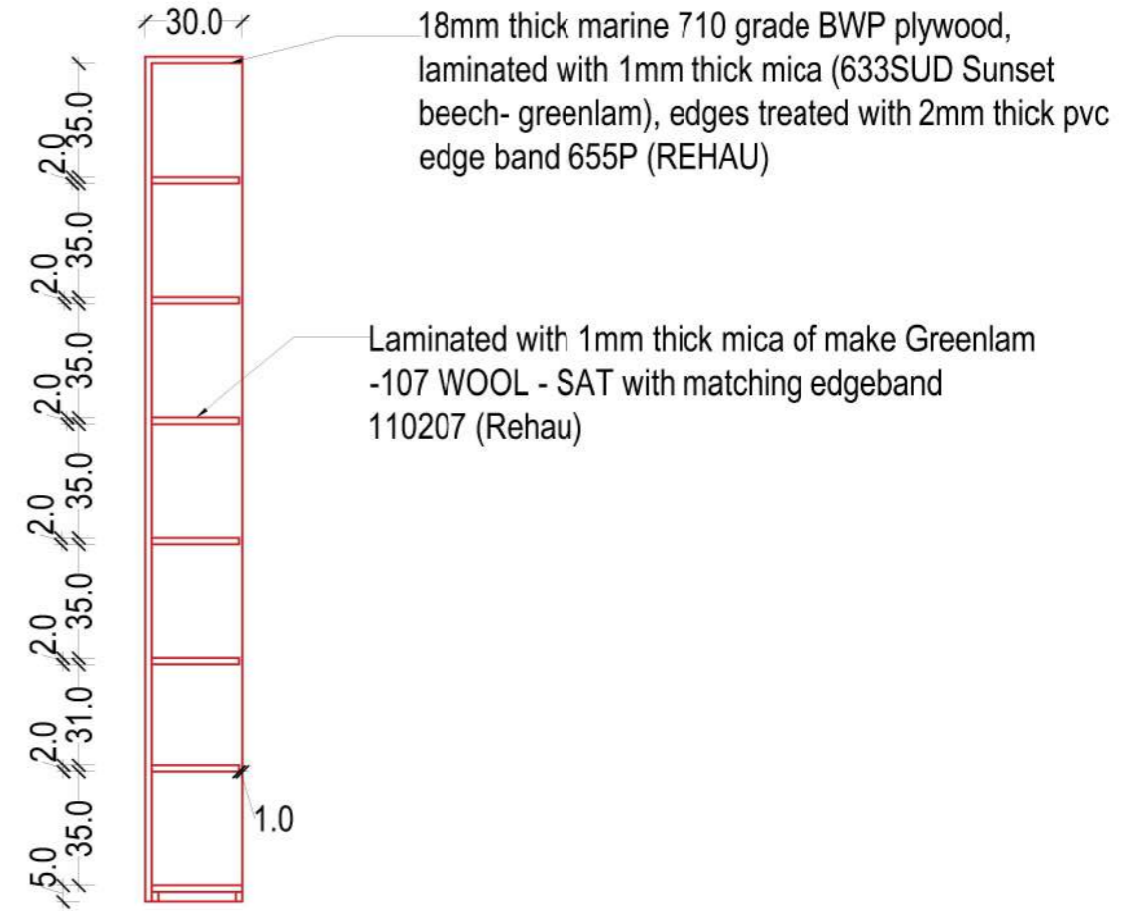
IISER Thiruvananthapuram

DWG NO.

EDR
22



ELEVATION



SECTION AA

PROPOSED INTERIOR DESIGN OF THE CENTRAL LIBRARY AT SECOND FLOOR & THIRD FLOOR OF ADMINISTRATIVE COMPLEX IN IISER THIRUVANANTHAPURAM

Notes:
1. This drawing is the sole property of m/s p.c.rasheed and associates. the rights of reproduction, modification or alteration are reserved by the consultant.
2. This drawing is not to be used for any other purpose or any other project.
3. All dimensions are to be scaled out from the drawing. Squared dimensions should be followed.
4. Check all measurements and levels before commencing the work. Inform the consultant before starting the construction.

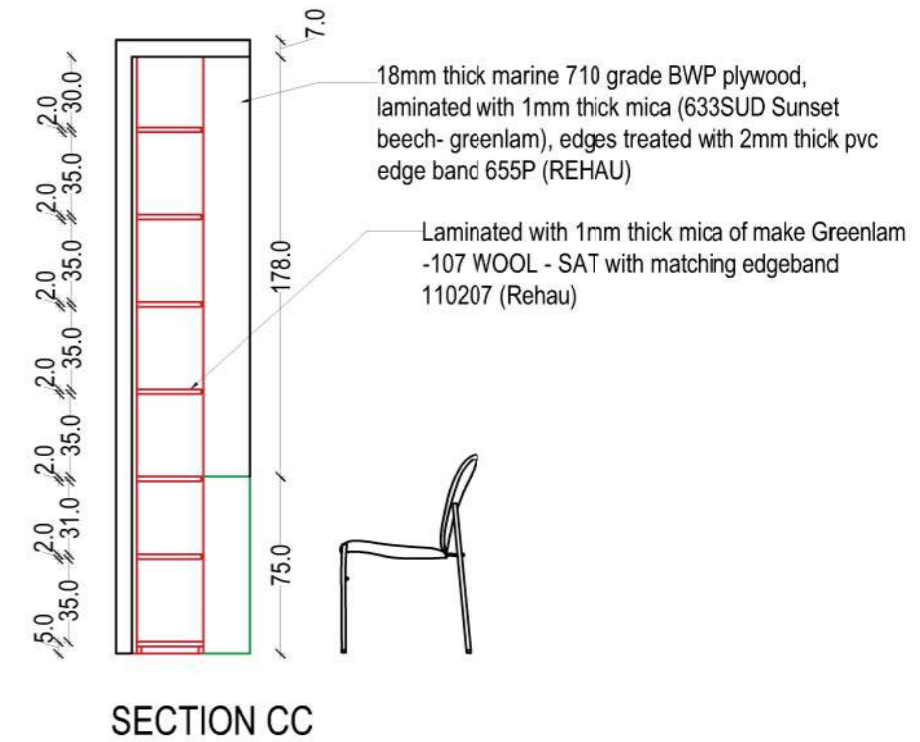
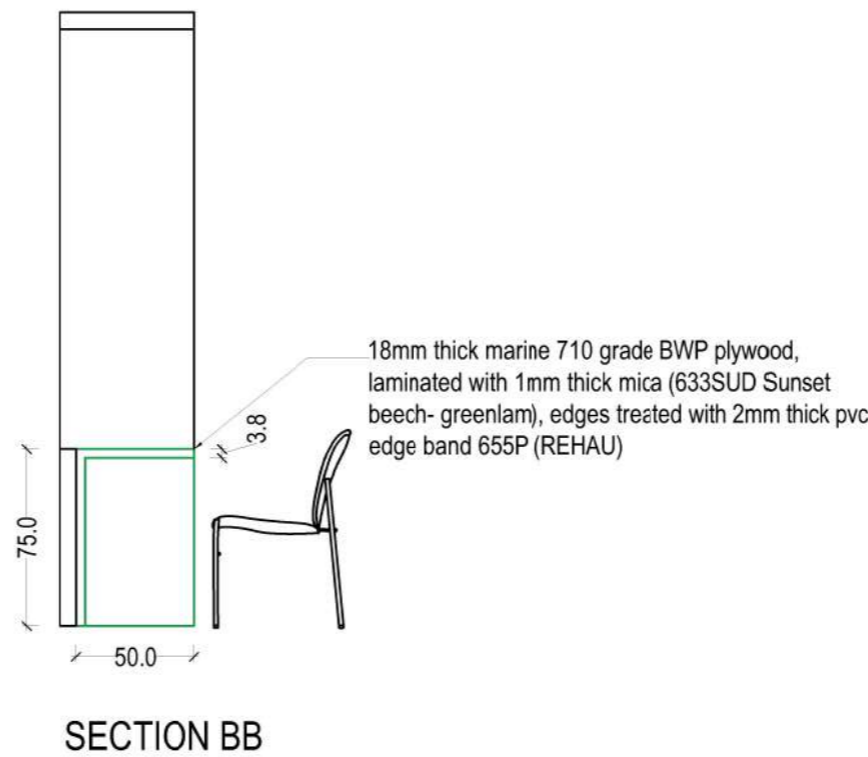
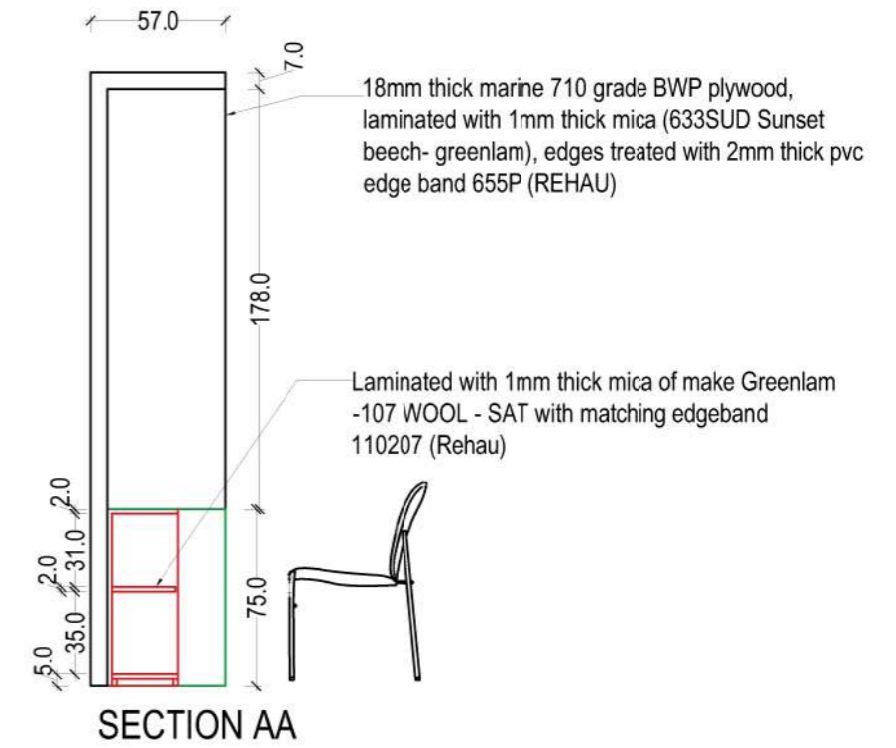
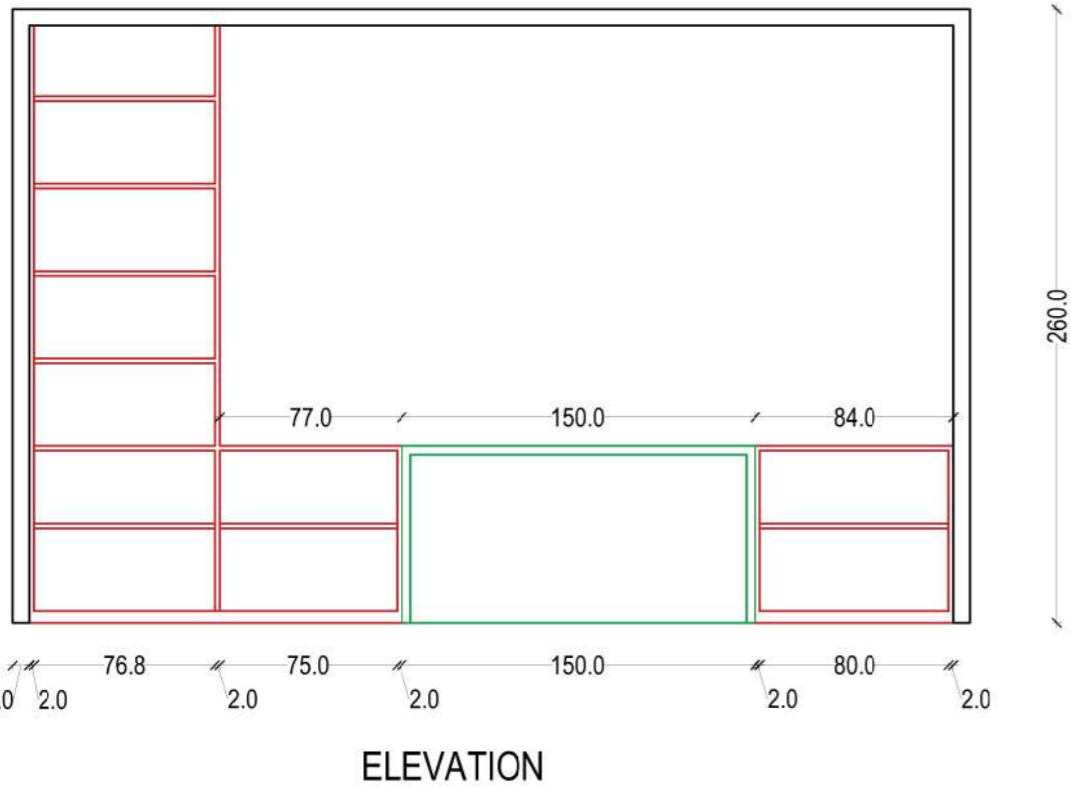
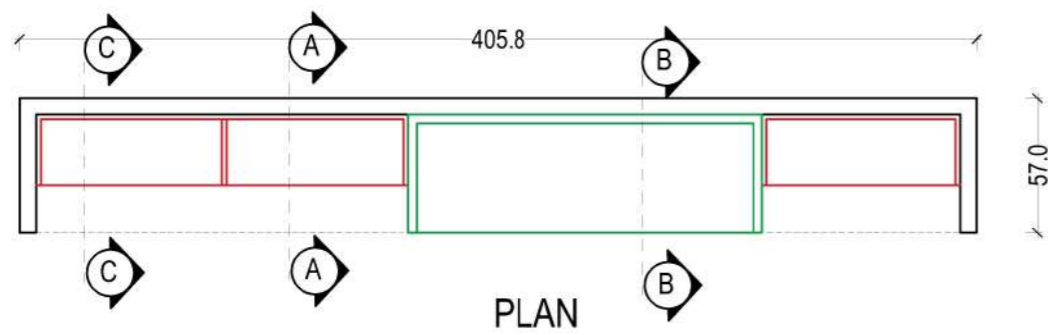
REMARKS:
1. Dimensions are in Meters
2. Do not scale out the drawing
3. Columns, Beams sizes as per structural details
4. Latente for masonry is 20cm thick, unfinished size (The size shown in the drawing)
5. Plastering thickness 1.5cm (Unless specified)

Consultant:
P.C. RASHEED AND ASSOCIATES.
P. C. RASHEED AND ASSOCIATES
Ravikulam Road, Kachalappu, Ernakulam P.O.,
Kochi-682026 Kerala
Tel: 0474-2738860 Fax: 0474-2738861
Email: p.c.rasheed@pcraa.com
p.c.rasheed@pcraa.com
Mobile: 9847944444, 9847944443

CHEF CONSULTANT:
Er P.C.ABDUL RASHEED B-Tech,FIJISLA,FIIV.
REGISTERED ENGINEER-A
REGN NO CI-3140/2000/69/EA

Drawn By: Ar. NAVAL MUHAMMED, Ar. Ridha k, Er.Noufan VP
TITLE: Book shelf 4
Scale: 1:100
Date: 20/12/2025
IISER Thiruvananthapuram

DWG NO.
EDR
23



PROPOSED INTERIOR DESIGN OF THE CENTRAL LIBRARY AT SECOND FLOOR & THIRD FLOOR OF ADMINISTRATIVE COMPLEX IN IISER THIRUVANANTHAPURAM

Notes:
 1. This drawing is the sole property of m/s p.c.rasheed and associates, the rights of reproduction, modification or alteration are reserved by the consultant.
 2. This drawing is not to be used for any other purpose or any other project.
 3. No dimensions are to be scaled out from the drawing. Squared dimensions should be followed.
 4. Check all measurements and levels before commencing the work. Inform the consultant before starting the construction.

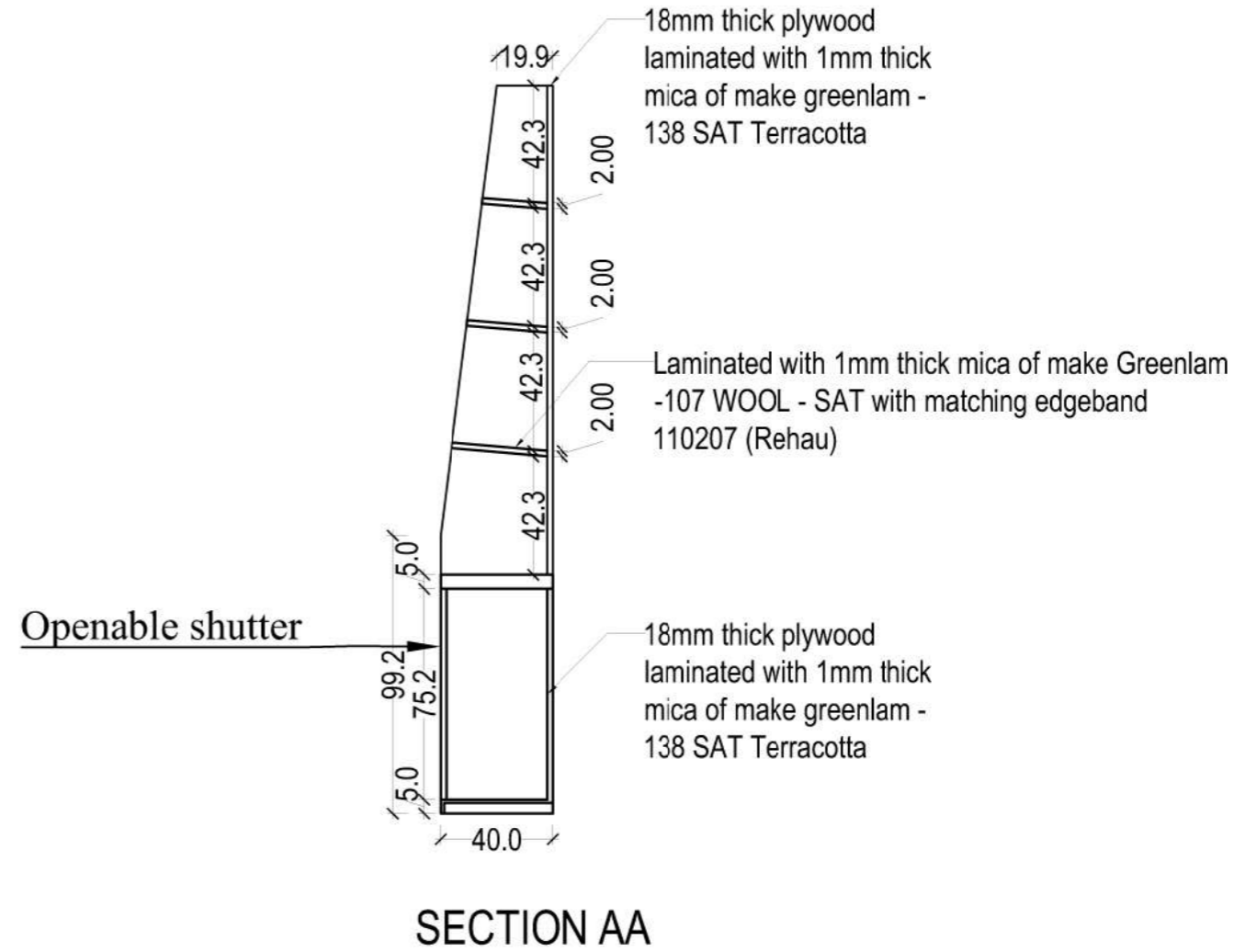
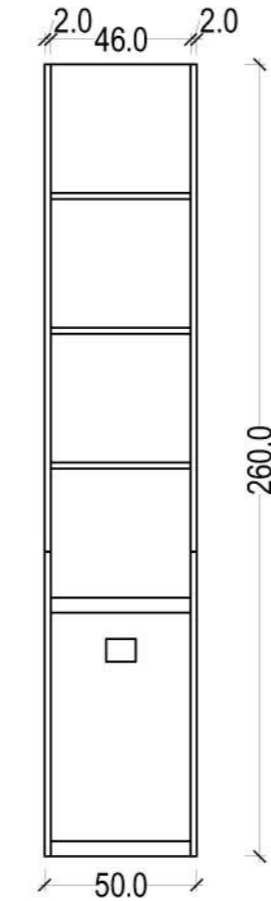
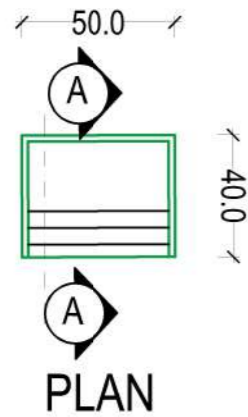
REMARKS:
 1. Dimensions are in Meters
 2. Do not scale out the drawing
 3. Columns, Beams sizes as per structural details
 4. Latente for masonry is 20cm thick, unfinished size (The size shown in the drawing)
 5. Plastering thickness 1.5cm (Unless specified)

Consultant:
P.C. RASHEED AND ASSOCIATES.
 WINDHOLE ROAD, TRIVANDRUM
 KERALA STATE, INDIA
 PIN - 682016
 TEL: 9847444444, 9847444444
 EMAIL: pcrasheed@pcraa.com

CHIEF CONSULTANT:
Er P.C.ABDUL RASHEED B-Tech,FIILSLA,FIIV.
 REGISTERED ENGINEER-A
 REGN NO CI-3140/2000/69/EA

Drawn By: Ar. NAVAL MUHAMMED
 Ar. Ridha k
 Er. Noutan VP
 CLIENT: IISER Thiruvananthapuram
 TITLE: Book shelf cum searing 4
 Scale: 1:100
 Date: 20/12/2024

DWG NO.
EDR
27



PROPOSED INTERIOR DESIGN OF THE CENTRAL LIBRARY AT SECOND FLOOR & THIRD FLOOR OF ADMINISTRATIVE COMPLEX IN IISER THIRUVANANTHAPURAM

Notes:

1. This drawing is the sole property of m/s p.c.rasheed and associates, the rights of reproduction, modification or alteration are reserved by the consultant.
2. This drawing is not to be used for any other purpose or any other project.
3. No dimensions are to be scaled out from the drawing. Squared dimensions should be followed.
4. Check all measurements and levels before commencing the work. Inform the consultant before starting the construction.

REMARKS:

1. Dimensions are in Meters
2. Do not scale out the drawing
3. Columns, Beams sizes as per structural details
4. Latelite for masonry is 20cm thick, unfinished size (The size shown in the drawing)
5. Plastering thickness 1.5cm (Unless specified)

Consultant:

P.C. RASHEED AND ASSOCIATES.
REGISTERED ENGINEER-A
 REGN NO CI-3140/2000/69/EA

CHIEF CONSULTANT:

Er P.C.ABDUL RASHEED B-Tech,FIJISLA,FIIV.
 REGISTERED ENGINEER-A
 REGN NO CI-3140/2000/69/EA

Drawn By:

Ar. NAVAL MUHAMMED
 Ar. Ritha k
 Er.Noufan VP

TITLE: COLUMN BOOK SHELF 3

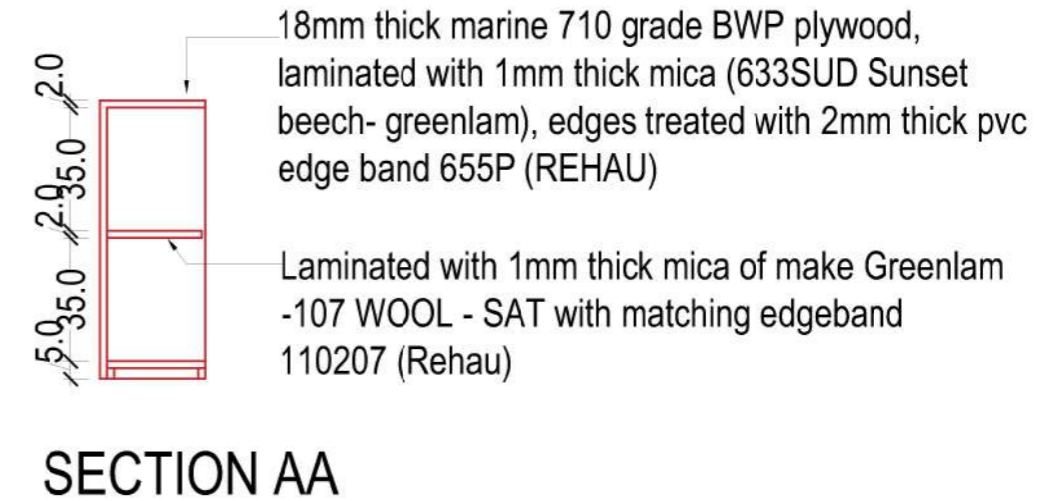
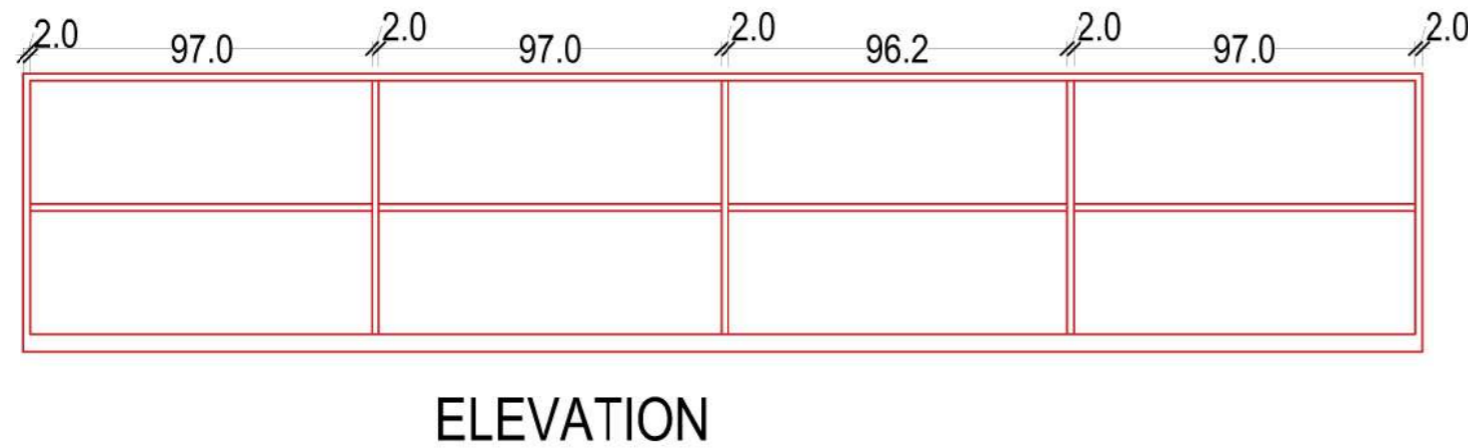
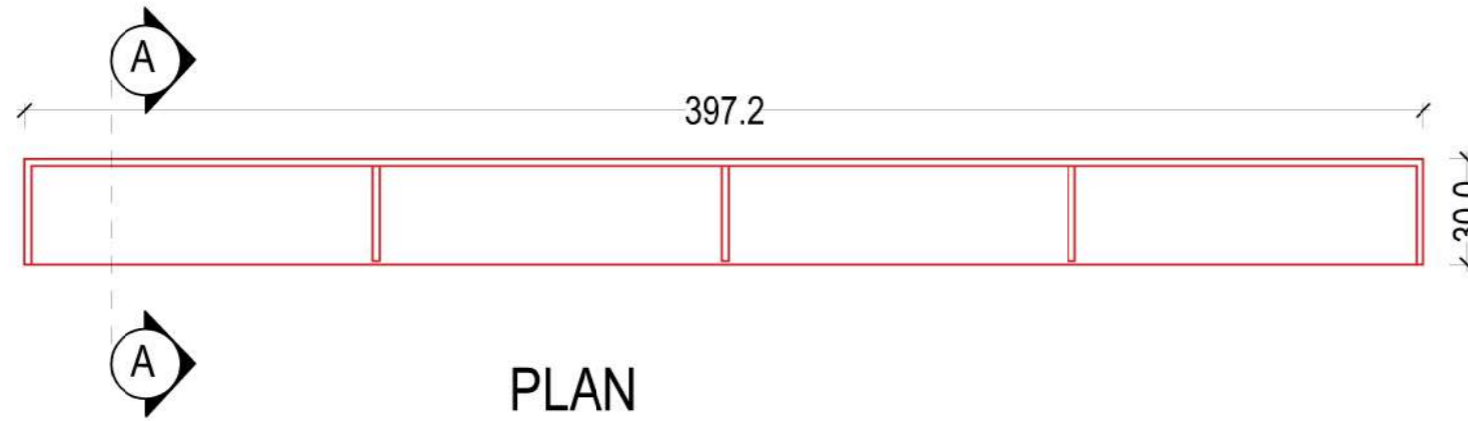
Scale: 1:100
 Date: 20/12/2024

CLIENT:

IISER Thiruvananthapuram

DWG NO.

EDR
31



PROPOSED INTERIOR DESIGN OF THE CENTRAL LIBRARY AT SECOND FLOOR & THIRD FLOOR OF ADMINISTRATIVE COMPLEX IN IISER THIRUVANANTHAPURAM

Notes:
 1. This drawing is the sole property of m/s p.c.rasheed and associates. the rights of reproduction, modification or alteration are reserved by the consultant.
 2. This drawing is not to be used for any other purpose or any other project.
 3. No dimensions are to be scaled out from the drawing. Squared dimensions should be followed.
 4. Check all measurements and levels before commencing the work. Inform the consultant before starting the construction.

REMARKS:
 1. Dimensions are in Meters
 2. Do not scale out the drawing
 3. Columns, Beams sizes as per structural details
 4. Latente for masonry is 20cm thick, unfinished size (The size shown in the drawing)
 5. Plastering thickness 1.5cm (Unless specified)

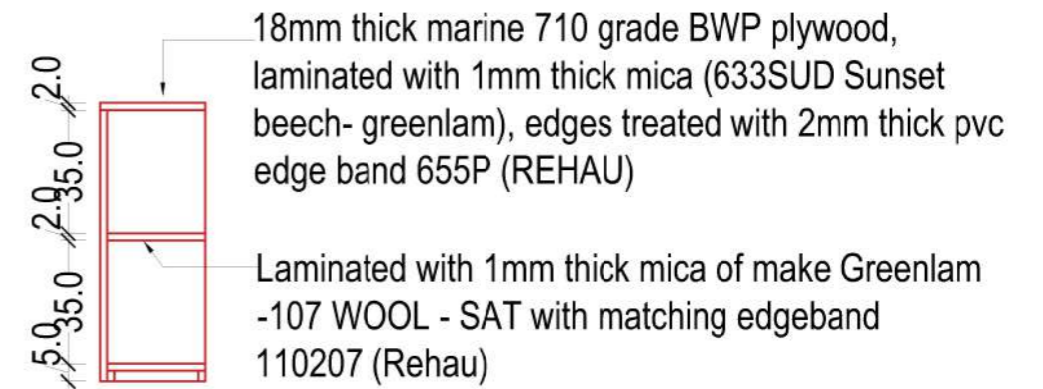
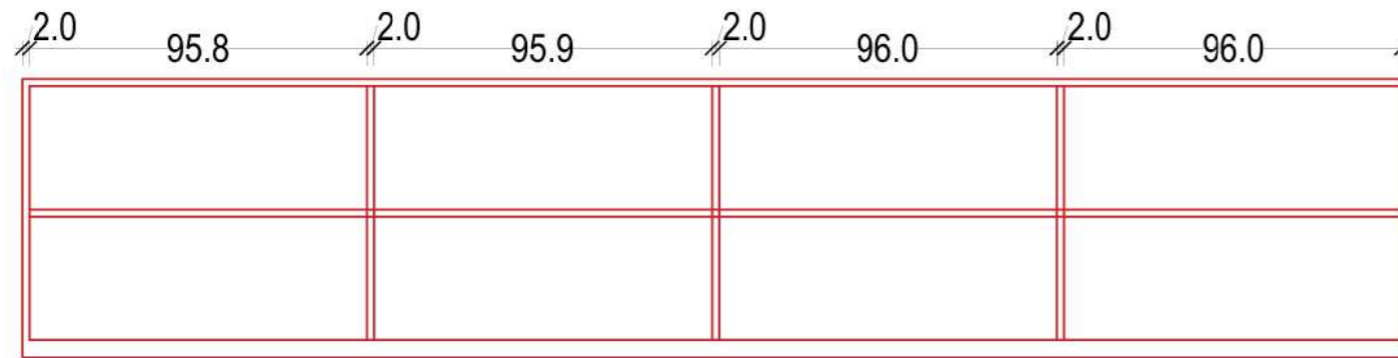
Consultant:
P.C. RASHEED AND ASSOCIATES.
 402/10th Cross Street, 4th Floor, Srinagar P.O.,
 Bangalore-560025, Karnataka
 Tel: 080-67388600 Fax: 080-67388600
 Email: p.c.rasheed@pcraa.com
 Website: www.pcraa.com
 Mob: +91 9880444444, +91 9482744444

CHEF CONSULTANT:
Er P.C.ABDUL RASHEED B-Tech,FIIISLA,FIIV.
 REGISTERED ENGINEER-A
 REGN NO CI-3140/2000/69/EA

Drawn By:
 Ar. NAVAL MUHAMMED
 Ar. Ridha k
 Er.Noufan VP
 CLIENT:
 IISER Thiruvananthapuram

TITLE: LINEAR BOOK SHELF 4
 Scale: 1:100
 Date: 20/12/2024
 16/12/2024
 16/12/2024
 20/12/2024
 03/12/2024
 03/12/2024
 03/12/2024
 24/12/2024

DWG NO.
EDR
 32



SECTION AA

PROPOSED INTERIOR DESIGN OF THE CENTRAL LIBRARY AT SECOND FLOOR & THIRD FLOOR OF ADMINISTRATIVE COMPLEX IN IISER THIRUVANANTHAPURAM

Notes:

1. This drawing is the sole property of m/s p.c.rasheed and associates. the rights of reproduction, modification or alteration are reserved by the consultant.
2. This drawing is not to be used for any other purpose or any other project.
3. no dimensions are to be scaled out from the drawing. Squared dimensions should be followed.
4. check all measurements and levels before commencing the work. Inform the consultant before starting the construction.

REMARKS:

1. Dimensions are in Meters
2. Do not scale out the drawing
3. Columns, Beams sizes as per structural details
4. Latente for masonry is 20cm thick, unfinished size (The size shown in the drawing)
5. Plastering thickness 1.5cm (Unless specified)

Consultant:

P.C. RASHEED AND ASSOCIATES.
REGISTERED ENGINEER-A
 REGN NO CI-3140/2000/69/EA

CHEF CONSULTANT:

Er P.C.ABDUL RASHEED B-Tech,FIIISLA,FIIV.
 REGISTERED ENGINEER-A
 REGN NO CI-3140/2000/69/EA

Drawn By:

Ar. NAVAL MUHAMMED
 Ar. Ridha k
 Er.Noufan VP

TITLE: LINEAR BOOK SHELF 5

Scale: 1:100

Date:

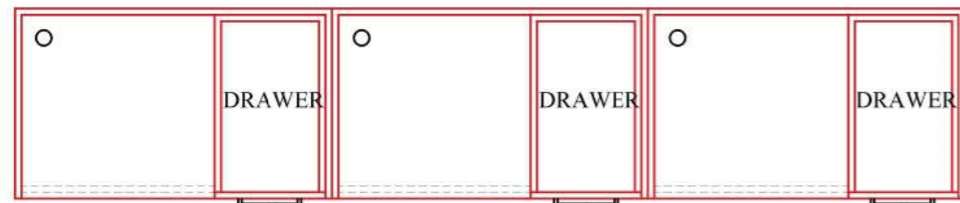
20/12/2024
 19/12/2024
 18/12/2024
 17/12/2024
 16/12/2024
 15/12/2024
 14/12/2024
 13/12/2024
 12/12/2024
 11/12/2024
 10/12/2024
 09/12/2024
 08/12/2024
 07/12/2024
 06/12/2024
 05/12/2024
 04/12/2024
 03/12/2024
 02/12/2024
 01/12/2024

CLIENT:

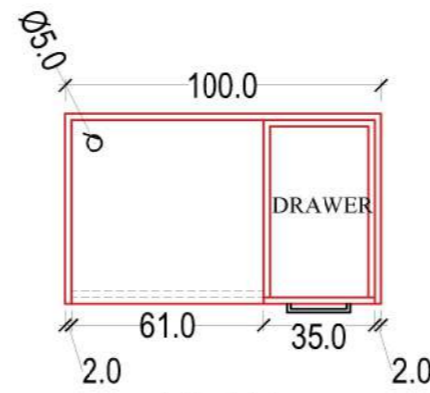
IISER Thiruvananthapuram

DWG NO.

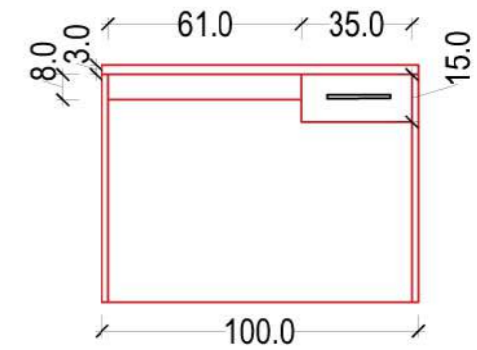
EDR
33



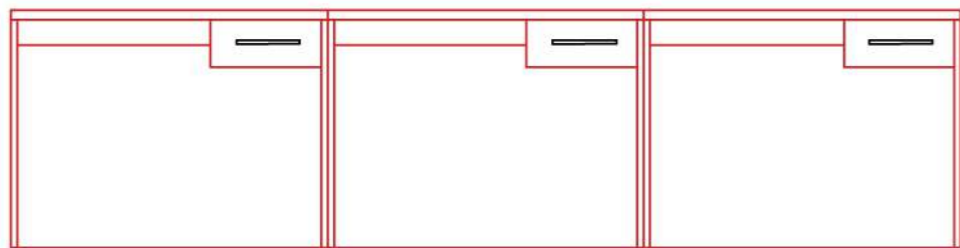
PLAN



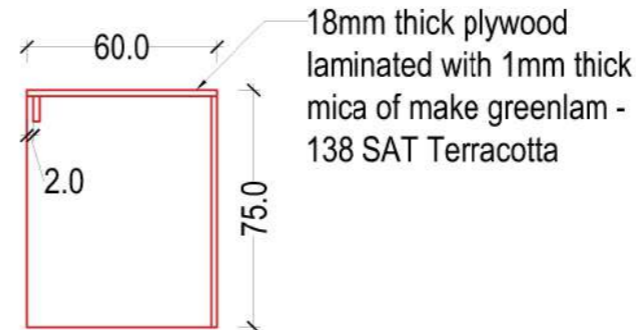
PLAN



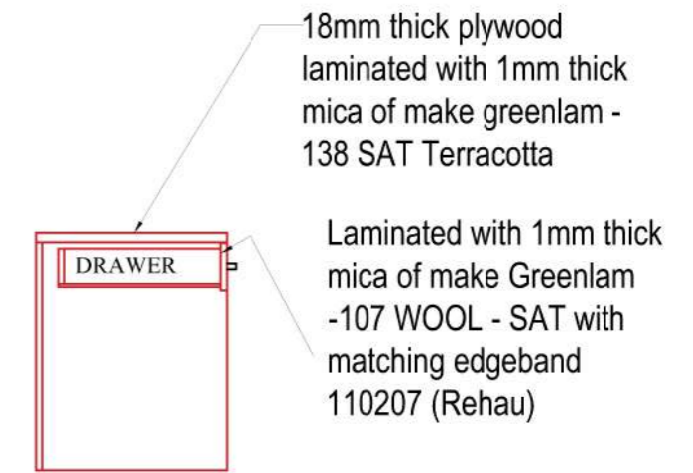
ELEVATION



ELEVATION



SECTION AA



SECTION BB

PROPOSED INTERIOR DESIGN OF THE CENTRAL LIBRARY AT SECOND FLOOR & THIRD FLOOR OF ADMINISTRATIVE COMPLEX IN IISER THIRUVANANTHAPURAM

Notes:

1. This drawing is the sole property of m/s p.c.rasheed and associates. the rights of reproduction, modification or alteration are reserved by the consultant.
 2. This drawing is not to be used for any other purpose or any other project.
 3. No dimensions are to be scaled out from the drawing. Squared dimensions should be followed.
 4. Check all measurements and levels before commencing the work. Inform the consultant before starting the construction.

REMARKS:

1. Dimensions are in Meters
 2. Do not scale out the drawing
 3. Columns, Beams sizes as per structural details
 4. Latente for masonry is 20cm thick, unfinished size (The size shown in the drawing)
 5. Plastering thickness 1.5cm (Unless specified)

Consultant:

P.C. RASHEED AND ASSOCIATES.
 REGISTERED ENGINEER-A
 REGN NO CI-3140/2000/69/EA

CHEF CONSULTANT:

Er P.C.ABDUL RASHEED B-Tech,FIIISLA,FIIV.
 REGISTERED ENGINEER-A
 REGN NO CI-3140/2000/69/EA

Drawn By:

Ar. NAVAL MUHAMMED
 Ar. Riha k
 Er.Noufan VP

TITLE: FACULTY TABLE

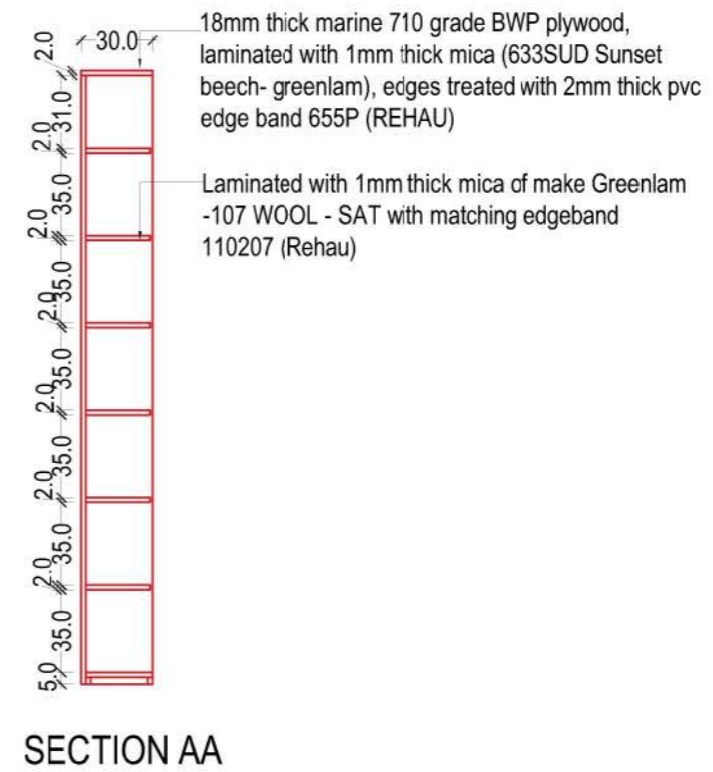
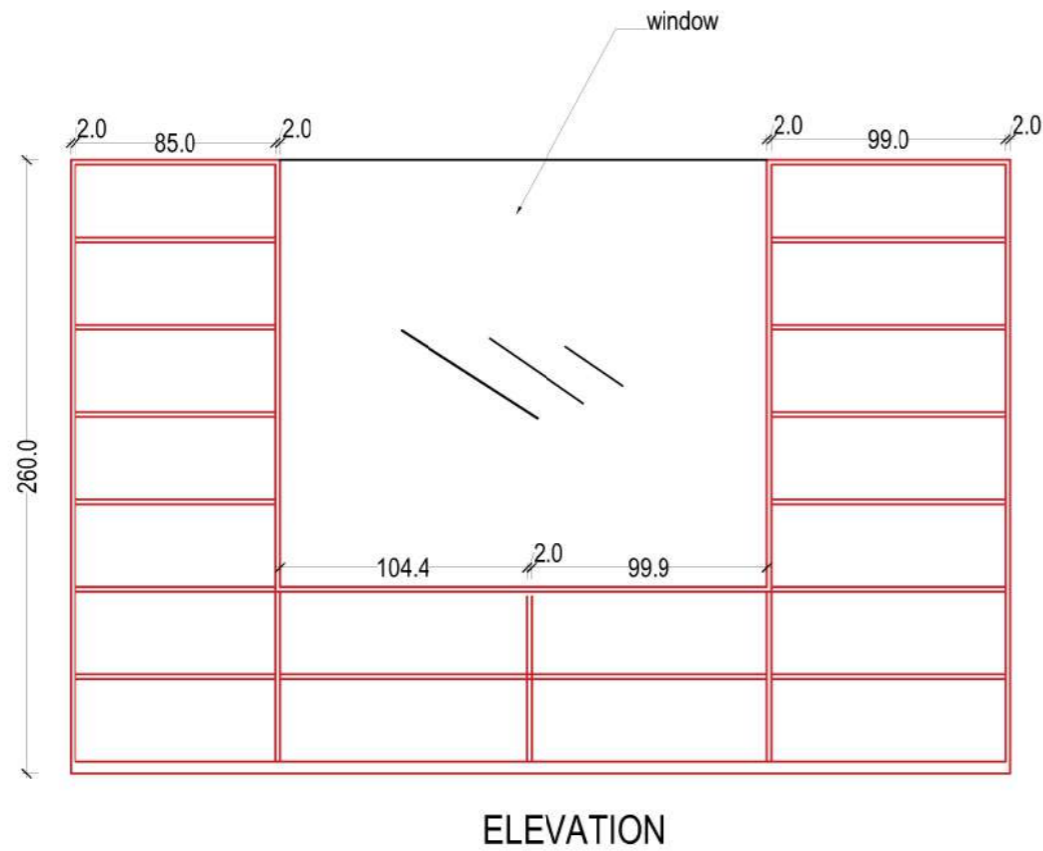
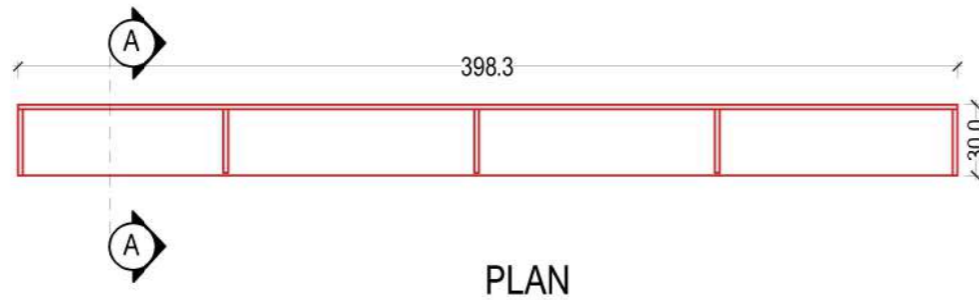
Scale: 1:100
 Date: 20/12/2024

CLIENT:

IISER Thiruvananthapuram

DWG NO.

EDR
34



18mm thick marine 710 grade BWP plywood, laminated with 1mm thick mica (633SUD Sunset beech- greenlam), edges treated with 2mm thick pvc edge band 655P (REHAU)

Laminated with 1mm thick mica of make Greenlam -107 WOOL - SAT with matching edgeband 110207 (Rehau)

PROPOSED INTERIOR DESIGN OF THE CENTRAL LIBRARY AT SECOND FLOOR & THIRD FLOOR OF ADMINISTRATIVE COMPLEX IN IISER THIRUVANANTHAPURAM

Notes:

1. This drawing is the sole property of m/s p.c.rasheed and associates, the rights of reproduction, modification or alteration are reserved by the consultant.
2. This drawing is not to be used for any other purpose or any other project.
3. All dimensions are to be scaled out from the drawing. Squared dimensions should be followed.
4. Check all measurements and levels before commencing the work. Inform the consultant before starting the construction.

REMARKS:

1. Dimensions are in Meters
2. Do not scale out the drawing
3. Columns, Beams sizes as per structural details
4. Latelite for masonry is 20cm thick, unfinished size (The size shown in the drawing)
5. Plastering thickness 1.5cm (Unless specified)

Consultant:

P.C. RASHEED AND ASSOCIATES.
WINDHOLE AND WINDHOLE
 Ravelin Road, Kachalappu, Ernakulam P.O.,
 Kerala-682008, India
 Contact: 9846473886, 9846473887
 Email: pcrasheedandassociates@gmail.com
 pcrasheed@pcra.com
 Mobile: 9846473886, 9846473887

CHEF CONSULTANT:

Er P.C.ABDUL RASHEED B-Tech,FIIISLA,FIIV.
 REGISTERED ENGINEER-A
 REGN NO CI-3140/2000/69/EA

Drawn By:

Ar. NAVAL MUHAMMED
 Ar. Riha k
 Er.Noufan VP

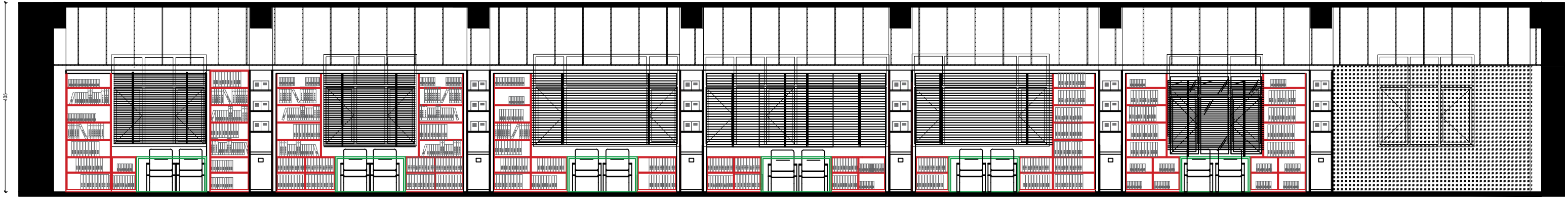
TITLE: LINEAR BOOK SHELF 6

Scale: 1:100 **Date:** 20/12/2023

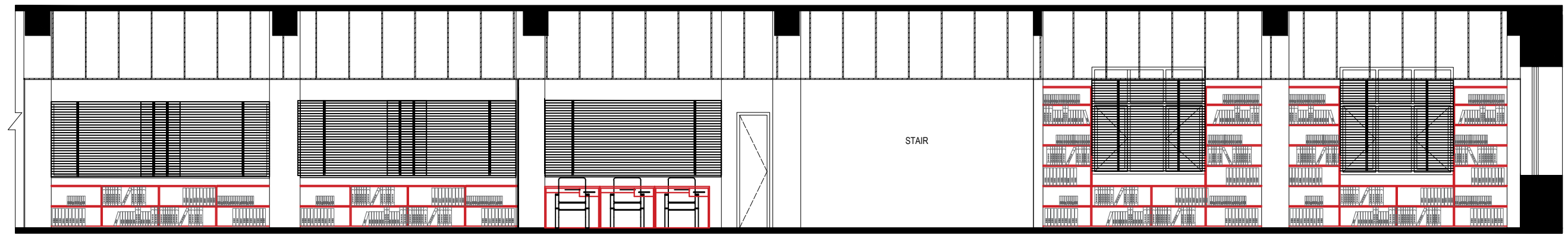
CLIENT:
 IISER Thiruvananthapuram

DWG NO.

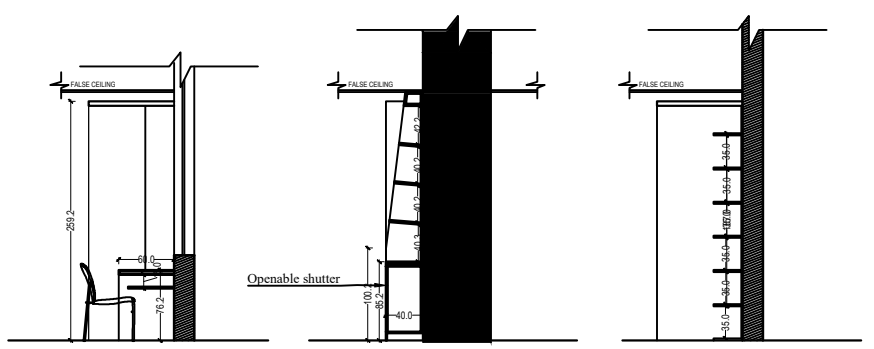
EDR
35



ELEVATION H



ELEVATION J



SECTION A SECTION B SECTION C



ELEVATION K

PROPOSED INTERIOR DESIGN OF THE CENTRAL LIBRARY AT SECOND FLOOR & THIRD FLOOR OF ADMINISTRATIVE COMPLEX IN IISER THIRUVANANTHAPURAM

Notes: 1. This drawing is the sole property of m/s p.c.rasheed and associates, the rights of reproduction, modification or alteration are reserved by the consultant. 2. This drawing is not to be used for any other purpose or any other project. 3. No dimensions are to be scaled out from the drawing, figured dimensions should be followed. 4. Check all measurements and levels before commencing the work. Intimate the consultant before starting the construction.	REMARKS: 1. Dimensions are in Meters 2. Do not scale out the drawing 3. Columns, Beams sizes as per structural details 4. Laterite for masonry is 20cm thick, unfinished size (The size shown in the drawing) 5. Plastering thickness 1.5cm (Unless specified)	Consultant: P.C. RASHEED AND ASSOCIATES. <small>REGD OFFICE: 10/1, KALATHUR ROAD, THIRUVANANTHAPURAM - 695 010, KERALA</small> <small>CONTACT: 9947144641, 9447144641</small>	CHIEF CONSULTANT: Er P.C.ABDUL RASHEED B-Tech,FIISLA,FIIV. REGISTERED ENGINEER-A REGN NO CI-3140/2000/69/EA	Drawn By: Ar. Naval Muhammed Ar. Ridha K Er.Theertha T Er.Noufan VP	TITLE: ELEVATION H,J,K Scale: 1:100 Date: 29/01/2026	DWG NO. EDR 37
				CLIENT: IISER Thiruvananthapuram	Date: 29/01/2026	